

# CDx4HC164、CDx4HCT164 高速 CMOS 逻辑 8 位串行输入/并行输出移位寄存器

## 1 特性

- 缓冲输入
- 异步复位
- 当  $V_{CC} = 5V$ ,  $C_L = 15pF$ ,  $T_A = 25^\circ C$  时,  $f_{MAX}$  典型值 = 60MHz
- 扇出 (在温度范围内)
  - 标准输出: 10 个 LSTTL 负载
  - 总线驱动器输出: 15 个 LSTTL 负载
- 宽工作温度范围:  $-55^\circ C$  至  $125^\circ C$
- 平衡的传播延迟时间及转换时间
- 与 LSTTL 逻辑 IC 相比, 功耗显著降低
- HC 类型
  - 工作电压为 2V 至 6V
  - 高抗噪性: 当  $V_{CC} = 5V$  时,  $N_{IL} = 30\%$ ,  $N_{IH} = V_{CC}$  的 30%
- HCT 类型
  - 工作电压为 4.5V 至 5.5V
  - 直接 LSTTL 输入逻辑兼容性,  $V_{IL} = 0.8V$  (最大值),  $V_{IH} = 2V$  (最小值)
  - CMOS 输入兼容性, 当电压为  $V_{OL}$ 、 $V_{OH}$  时,  $I_i \leq 1\mu A$

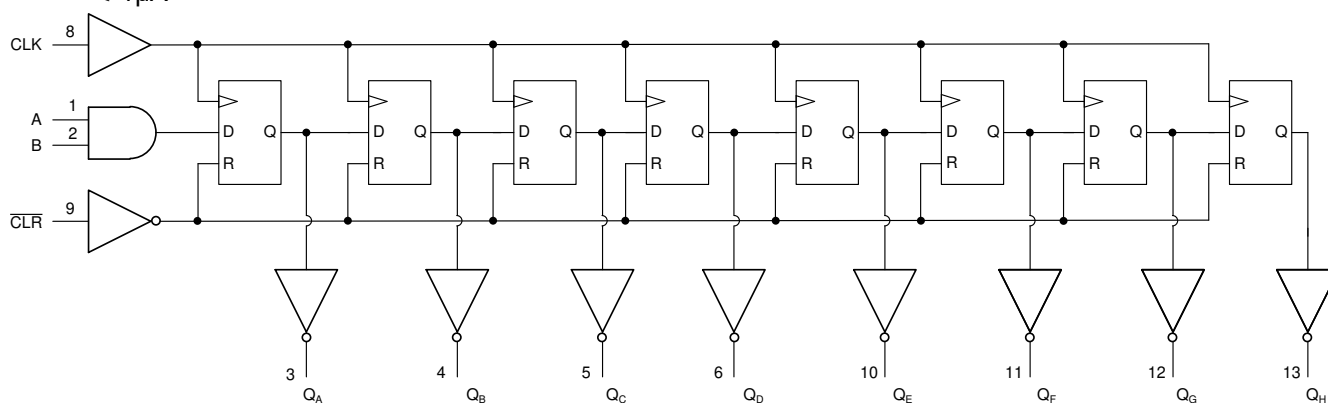
## 2 说明

'HC164 和 'HCT164 是具有异步复位功能的 8 位串行输入/并行输出移位寄存器。数据在时钟 (CLK) 正边沿发生移位。复位 (CLR) 引脚上的低电平将移位寄存器复位, 无论输入情况如何, 所有输出均进入低电平状态。提供的两个串行数据输入 (A 和 B) 中的任何一个都可用作数据启用控制。

### 器件信息

| 器件型号        | 封装 <sup>(1)</sup> | 封装尺寸 (标称值)       |
|-------------|-------------------|------------------|
| CD74HC164M  | SOIC (14)         | 8.65mm × 3.90mm  |
| CD74HCT164M | SOIC (14)         | 8.65mm × 3.90mm  |
| CD74HC164E  | PDIP (14)         | 19.31mm × 6.35mm |
| CD74HCT164E | PDIP (14)         | 19.31mm × 6.35mm |
| CD54HC164F  | CDIP (14)         | 19.55mm × 6.71mm |

(1) 如需了解所有可用封装, 请参阅数据表末尾的可订购产品附录。



功能方框图



## Table of Contents

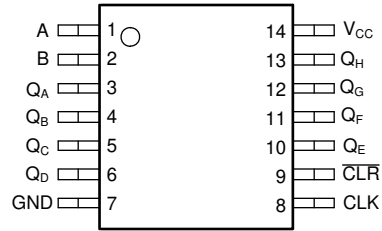
|  |   |  |    |
|--|---|--|----|
| <b>1 特性</b> .....                                    | 1 | 7.2 Functional Block Diagram.....                                | 9  |
| <b>2 说明</b> .....                                    | 1 | 7.3 Device Functional Modes.....                                 | 9  |
| <b>3 Revision History</b> .....                      | 2 | <b>8 Power Supply Recommendations</b> .....                      | 10 |
| <b>4 Pin Configuration and Functions</b> .....       | 3 | <b>9 Layout</b> .....  | 10 |
| <b>5 Specifications</b> .....                        | 4 | 9.1 Layout Guidelines.....                                       | 10 |
| 5.1 Absolute Maximum Ratings.....                    | 4 | <b>10 Device and Documentation Support</b> .....                 | 11 |
| 5.2 Recommended Operating Conditions.....            | 4 | 10.1 Documentation Support.....                                  | 11 |
| 5.3 Thermal Information.....                         | 4 | 10.2 接收文档更新通知.....   | 11 |
| 5.4 Electrical Characteristics.....                  | 5 | 10.3 支持资源.....   | 11 |
| 5.5 Prerequisite for Switching Characteristics ..... | 6 | 10.4 Trademarks.....   | 11 |
| 5.6 Switching Characteristics .....                  | 7 | 10.5 Electrostatic Discharge Caution.....                        | 11 |
| <b>6 Parameter Measurement Information</b> .....     | 8 | 10.6 术语表.....  | 11 |
| <b>7 Detailed Description</b> .....                  | 9 | <b>11 Mechanical, Packaging, and Orderable Information</b> ..... | 11 |
| 7.1 Overview.....                                    | 9 |  |    |

## 3 Revision History

注：以前版本的页码可能与当前版本的页码不同

| Changes from Revision C (August 2003) to Revision D (March 2022)   | Page |
|--|------|
| • 更新了整个文档中的编号、格式、表格、图和交叉参考，以反映现代数据表标准.....   | 1    |
| • Updated naming conventions to reflect modern TI function. DS1 is now A; DS2 is now B; Q <sub>0</sub> is now Q <sub>A</sub> ; Q <sub>1</sub> is now Q <sub>B</sub> ; Q <sub>2</sub> is now Q <sub>C</sub> ; Q <sub>3</sub> is now Q <sub>D</sub> ; CP is now CLK; $\overline{MR}$ is now $\overline{CLR}$ ; Q <sub>4</sub> is now Q <sub>E</sub> ; Q <sub>5</sub> is now Q <sub>F</sub> ; Q <sub>6</sub> is now Q <sub>G</sub> ; Q <sub>7</sub> is now Q <sub>H</sub> ..... | 3    |

## 4 Pin Configuration and Functions



**J, D, and N Package  
14-Pin CDIP, SOIC, and PDIP  
Top View**

## 5 Specifications

### 5.1 Absolute Maximum Ratings

over operating free-air temperature range (unless otherwise noted)<sup>(1)</sup>

|                  |   | MIN   | MAX | UNIT |
|------------------|---|---|-----|------|
| V <sub>CC</sub>  | Supply voltage range                              | -0.5  | 7   | V    |
| I <sub>IK</sub>  | Input clamp current <sup>(2)</sup>                | (V <sub>I</sub> < 0 or V <sub>I</sub> > V <sub>CC</sub> ) | ±20 | mA   |
| I <sub>OK</sub>  | Output clamp current <sup>(2)</sup>               | (V <sub>O</sub> < 0 or V <sub>O</sub> > V <sub>CC</sub> ) | ±20 | mA   |
| I <sub>O</sub>   | Continuous output current                         | (V <sub>O</sub> = 0 to V <sub>CC</sub> )                  | ±25 | mA   |
|                  | Continuous current through V <sub>CC</sub> or GND |   | ±50 | mA   |
| T <sub>J</sub>   | Junction temperature                              |   | 150 | °C   |
| T <sub>stg</sub> | Storage temperature                               | -65   | 150 | °C   |

- (1) Stresses beyond those listed under *absolute maximum ratings* may cause permanent damage to the device. These are stress ratings only and functional operation of the device at these or any other conditions beyond those indicated under *recommended operating conditions* is not implied. Exposure to absolute-maximum-rated conditions for extended periods may affect device reliability.
- (2) The input and output voltage ratings may be exceeded if the input and output current ratings are observed.

### 5.2 Recommended Operating Conditions

|                                 |                          | MIN       | MAX             | UNIT |   |
|---------------------------------|--------------------------|-----------|-----------------|------|---|
| V <sub>CC</sub>                 | Supply voltage range     | HC types  | 2               | 6    | V |
|                                 |                          | HCT types | 4.5             | 5.5  |   |
| V <sub>I</sub> , V <sub>O</sub> | Input or output voltage  | 0         | V <sub>CC</sub> | V    |   |
|                                 | Input rise and fall time | 2 V       | 1000            | ns   |   |
|                                 |                          | 4.5 V     | 500             |      |   |
|                                 |                          | 6 V       | 400             |      |   |
| T <sub>A</sub>                  | Temperature range        | - 55      | 125             | °C   |   |

### 5.3 Thermal Information

| THERMAL METRIC   |   | D (SOIC) | N (PDIP) | UNIT |
|------------------|---|----------|----------|------|
|                  |   | 14 PINS  | 14 PINS  |      |
| R <sub>θJA</sub> | Junction-to-ambient thermal resistance <sup>(1)</sup> | 86       | 80       | °C/W |

- (1) For more information about traditional and new thermal metrics, see the [Semiconductor and IC package thermal metrics](#) application report.

## 5.4 Electrical Characteristics

| PARAMETER                    |   | TEST CONDITIONS <sup>(1)</sup>          | V <sub>CC</sub> (V) | 25°C    |     |      | -40°C to 85°C |      | -55°C to 125°C |     | UNIT |
|------------------------------|---|---|---------------------|---------|-----|------|---------------|------|----------------|-----|------|
|                              |   |   |                     | MIN     | TYP | MAX  | MIN           | MAX  | MIN            | MAX |      |
| <b>HC TYPES</b>              |   |   |                     |         |     |      |               |      |                |     |      |
| V <sub>IH</sub>              | High level input voltage                |   | 2                   | 1.5     |     | 1.5  |               | 1.5  |                | V   |      |
|                              |   |   | 4.5                 | 3.15    |     | 3.15 |               | 3.15 |                |     |      |
|                              |   |   | 6                   | 4.2     |     | 4.2  |               | 4.2  |                |     |      |
| V <sub>IL</sub>              | Low level input voltage                 |   | 2                   | 0.5     |     | 0.5  |               | 0.5  |                | V   |      |
|                              |   |   | 4.5                 | 1.35    |     | 1.35 |               | 1.35 |                |     |      |
|                              |   |   | 6                   | 1.8     |     | 1.8  |               | 1.8  |                |     |      |
| V <sub>OH</sub>              | High level output voltage               | I <sub>OH</sub> = -20 μA                | 2                   | 1.9     |     | 1.9  |               | 1.9  |                | V   |      |
|                              |   | I <sub>OH</sub> = -20 μA                | 4.5                 | 4.4     |     | 4.4  |               | 4.4  |                |     |      |
|                              |   | I <sub>OH</sub> = -20 μA                | 6                   | 5.9     |     | 5.9  |               | 5.9  |                |     |      |
|                              | High level output voltage               | I <sub>OH</sub> = -4 mA                 | 4.5                 | 3.98    |     | 3.84 |               | 3.7  |                |     |      |
|                              |   | I <sub>OH</sub> = -5.2 mA               | 6                   | 5.48    |     | 5.34 |               | 5.2  |                |     |      |
| V <sub>OL</sub>              | Low level output voltage                | I <sub>OL</sub> = 20 μA                 | 2                   | 0.1     |     | 0.1  |               | 0.1  |                | V   |      |
|                              |   | I <sub>OL</sub> = 20 μA                 | 4.5                 | 0.1     |     | 0.1  |               | 0.1  |                |     |      |
|                              |   | I <sub>OL</sub> = 20 μA                 | 6                   | 0.1     |     | 0.1  |               | 0.1  |                |     |      |
|                              | Low level output voltage                | I <sub>OL</sub> = 4 mA                  | 4.5                 | 0.26    |     | 0.33 |               | 0.4  |                |     |      |
|                              |   | I <sub>OL</sub> = 5.2 mA                | 6                   | 0.26    |     | 0.33 |               | 0.4  |                |     |      |
| I <sub>I</sub>               | Input leakage current                   | V <sub>I</sub> = V <sub>CC</sub> or GND | 6                   | ±0.1    |     | ±1   |               | ±1   |                | μA  |      |
| I <sub>CC</sub>              | Supply current                          | V <sub>I</sub> = V <sub>CC</sub> or GND | 6                   | 8       |     | 80   |               | 160  |                | μA  |      |
| <b>HCT TYPES</b>             |   |   |                     |         |     |      |               |      |                |     |      |
| V <sub>IH</sub>              | High level input voltage                |   | 4.5 to 5.5          | 2       |     | 2    |               | 2    |                | V   |      |
| V <sub>IL</sub>              | Low level input voltage                 |   | 4.5 to 5.5          | 0.8     |     | 0.8  |               | 0.8  |                | V   |      |
| V <sub>OH</sub>              | High level output voltage               | I <sub>OH</sub> = -20 μA                | 4.5                 | 4.4     |     | 4.4  |               | 4.4  |                | V   |      |
|                              | High level output voltage               | I <sub>OH</sub> = -4 μA                 | 4.5                 | 3.98    |     | 3.84 |               | 3.7  |                |     |      |
| V <sub>OL</sub>              | Low level output voltage                | I <sub>OL</sub> = 20 μA                 | 4.5                 | 0.1     |     | 0.1  |               | 0.1  |                | V   |      |
|                              | Low level output voltage                | I <sub>OL</sub> = 4 μA                  | 4.5                 | 0.26    |     | 0.33 |               | 0.4  |                |     |      |
| I <sub>I</sub>               | Input leakage current                   | V <sub>I</sub> = V <sub>CC</sub> or GND | 5.5                 | ±0.1    |     | ±1   |               | ±1   |                | μA  |      |
| I <sub>CC</sub>              | Supply current                          | V <sub>I</sub> = V <sub>CC</sub> or GND | 5.5                 | 8       |     | 80   |               | 160  |                | μA  |      |
| Δ I <sub>CC</sub><br>(2) (3) | Additional supply current per input pin | Date Shift-In (1,2)                     | 4.5 to 5.5          | 100 108 |     | 135  |               | 147  |                | μA  |      |
|                              |   | CLR                                     | 4.5 to 5.5          | 324     |     | 405  |               | 441  |                | μA  |      |
|                              |   | CLK                                     | 4.5 to 5.5          | 100 252 |     | 315  |               | 343  |                | μA  |      |

(1) V<sub>I</sub> = V<sub>IH</sub> or V<sub>IL</sub>, unless otherwise noted.

(2) This is the increase in supply current for each input that is at one of the specified TTL voltage levels, rather than 0 V or V<sub>CC</sub>.

(3) Inputs held at V<sub>CC</sub> - 2.1.

## 5.5 Prerequisite for Switching Characteristics

| PARAMETER        |                               | V <sub>CC</sub> (V) | 25°C |     | - 40°C to 85°C |     | - 55°C to 125°C |     | UNIT |
|------------------|-------------------------------|---------------------|------|-----|----------------|-----|-----------------|-----|------|
|                  |                               |                     | MIN  | MAX | MIN            | MAX | MIN             | MAX |      |
| <b>HC TYPES</b>  |                               |                     |      |     |                |     |                 |     |      |
| f <sub>MAX</sub> | Maximum clock frequency       | 2                   | 6    | 5   | 4              | MHz |                 |     |      |
|                  |                               | 4.5                 | 30   | 24  | 20             | MHz |                 |     |      |
|                  |                               | 6                   | 35   | 28  | 24             | MHz |                 |     |      |
| t <sub>W</sub>   | CLR pulse width               | 2                   | 60   | 75  | 90             | ns  |                 |     |      |
|                  |                               | 4.5                 | 12   | 15  | 18             | ns  |                 |     |      |
|                  |                               | 6                   | 10   | 13  | 15             | ns  |                 |     |      |
| t <sub>W</sub>   | CLK pulse width               | 2                   | 80   | 100 | 120            | ns  |                 |     |      |
|                  |                               | 4.5                 | 16   | 20  | 24             | ns  |                 |     |      |
|                  |                               | 6                   | 14   | 17  | 20             | ns  |                 |     |      |
| t <sub>SU</sub>  | Set-up time                   | 2                   | 60   | 75  | 90             | ns  |                 |     |      |
|                  |                               | 4.5                 | 12   | 15  | 18             | ns  |                 |     |      |
|                  |                               | 6                   | 10   | 13  | 15             | ns  |                 |     |      |
| t <sub>H</sub>   | Hold time                     | 2                   | 4    | 4   | 4              | ns  |                 |     |      |
|                  |                               | 4.5                 | 4    | 4   | 4              | ns  |                 |     |      |
|                  |                               | 6                   | 4    | 4   | 4              | ns  |                 |     |      |
| t <sub>REM</sub> | CLR to clock,<br>Removal time | 2                   | 80   | 100 | 120            | ns  |                 |     |      |
|                  |                               | 4.5                 | 16   | 20  | 24             | ns  |                 |     |      |
|                  |                               | 6                   | 14   | 17  | 20             | ns  |                 |     |      |
| <b>HCT TYPES</b> |                               |                     |      |     |                |     |                 |     |      |
| f <sub>MAX</sub> | Maximum clock frequency       | 4.5                 | 27   | 22  | 18             | MHz |                 |     |      |
| t <sub>W</sub>   | CLR pulse width               | 6                   | 18   | 23  | 27             | ns  |                 |     |      |
| t <sub>W</sub>   | CLK pulse width               | 4.5                 | 18   | 23  | 27             | ns  |                 |     |      |
| t <sub>SU</sub>  | Set-up time                   | 6                   | 12   | 15  | 18             | ns  |                 |     |      |
| t <sub>H</sub>   | Hold time                     | 4.5                 | 4    | 4   | 4              | ns  |                 |     |      |
| t <sub>REM</sub> | CLR to clock,<br>Removal time | 6                   | 16   | 20  | 24             | ns  |                 |     |      |

## 5.6 Switching Characteristics

 Input  $t_r$ ,  $t_f = 6\text{ns}$ .  $C_L = 50\text{pF}$  unless otherwise noted

| PARAMETER             |  | $V_{CC}$ (V) | 25°C              |     | - 40°C to 85°C | - 55°C to 125°C | UNIT |
|-----------------------|--|--------------|-------------------|-----|----------------|-----------------|------|
|                       |  |              | TYP               | MAX | MAX            | MAX             |      |
| <b>HC TYPES</b>       |  |              |                   |     |                |                 |      |
| $t_{PLH}$ , $t_{PHL}$ | CLK to Q   | 2            |                   | 170 | 212            | 255             | ns   |
|                       |  | 4.5          | 14 <sup>(3)</sup> | 34  | 43             | 51              | ns   |
|                       |  | 6            |                   | 29  | 36             | 43              | ns   |
| $t_{PLH}$ , $t_{PHL}$ | $\overline{\text{CLR}}$ to Q                     | 2            |                   | 140 | 175            | 210             | ns   |
|                       |  | 4.5          | 11 <sup>(3)</sup> | 28  | 35             | 42              | ns   |
|                       |  | 6            |                   | 24  | 30             | 36              | ns   |
| $t_{TLH}$ , $t_{THL}$ | Output transition times                          | 2            |                   | 75  |                | 110             | ns   |
|                       |  | 4.5          |                   | 15  |                | 22              | ns   |
|                       |  | 6            |                   | 13  |                | 19              | ns   |
| $f_{MAX}$             | Maximum clock frequency                          | 5            | 60 <sup>(3)</sup> |     |                |                 | ns   |
| $C_{IN}$              | Input capacitance                                |              |                   | 10  | 10             | 10              | pF   |
| $C_{PD}$              | Power dissipation capacitance <sup>(1) (2)</sup> | 5            | 47                |     |                |                 | pF   |
| <b>HCT TYPES</b>      |  |              |                   |     |                |                 |      |
| $t_{PLH}$ , $t_{PHL}$ | CLK to Q   | 4.5          |                   | 36  | 45             | 54              | ns   |
|                       |  | 5            | 15 <sup>(3)</sup> |     |                |                 |      |
| $t_{PLH}$ , $t_{PHL}$ | $\overline{\text{CLR}}$ to Q                     | 4.5          |                   | 38  | 46             | 57              | ns   |
|                       |  | 5            | 16 <sup>(3)</sup> |     |                |                 |      |
| $t_{TLH}$ , $t_{THL}$ | Output Transition time                           | 4.5          |                   | 15  | 19             | 22              | ns   |
| $C_{IN}$              | Input Capacitance                                |              |                   |     |                |                 | pF   |
| $f_{MAX}$             | Maximum clock frequency                          |              | 54 <sup>(4)</sup> |     |                |                 | MHz  |
| $C_{PD}$              | Power dissipation capacitance <sup>(1) (2)</sup> | 5            | 49                | 10  | 10             | 10              | pF   |

 (1)  $C_{PD}$  is used to determine the dynamic power consumption, per device.

 (2)  $P_D = V_{CC}^2 f_i + \sum (C_L V_{CC}^2 + f_O)$  where  $f_i$  = Input Frequency,  $f_O$  = Output Frequency,  $C_L$  = Output Load Capacitance,  $V_{CC}$  = Supply Voltage.

 (3)  $C_L = 15\text{pF}$ .  $V_{CC} = 5$ .

 (4)  $C_L = 15\text{pF}$ .

## 6 Parameter Measurement Information

Phase relationships between waveforms were chosen arbitrarily. All input pulses are supplied by generators having the following characteristics:  $PRR \leq 1 \text{ MHz}$ ,  $Z_O = 50 \Omega$ ,  $t_t < 6 \text{ ns}$ .

For clock inputs,  $f_{max}$  is measured when the input duty cycle is 50%.

The outputs are measured one at a time with one input transition per measurement.

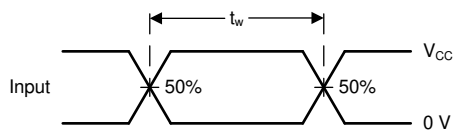


图 6-1. Voltage Waveforms, Standard CMOS Inputs Pulse Duration

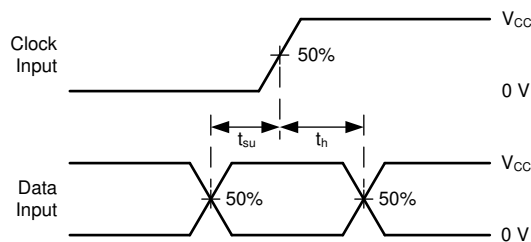


图 6-2. Voltage Waveforms, Standard CMOS Inputs Setup and Hold Times

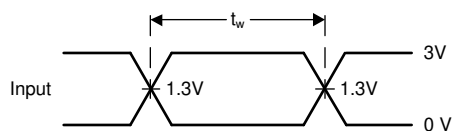


图 6-3. Voltage Waveforms, TTL-Compatible CMOS Inputs Pulse Duration

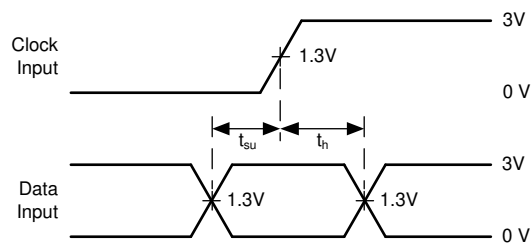


图 6-4. Voltage Waveforms, TTL-Compatible CMOS Inputs Setup and Hold Times



## 7 Detailed Description

### 7.1 Overview

The ' HC164 and ' HCT164 are 8-bit serial-in parallel-out shift registers with asynchronous reset. Data is shifted on the positive edge of Clock (CLK). A LOW on the Reset (CLR) pin resets the shift register and all outputs go to the LOW state regardless of the input conditions. Two Serial Data inputs (A and B) are provided, either one can be used as a Data Enable control.

### 7.2 Functional Block Diagram

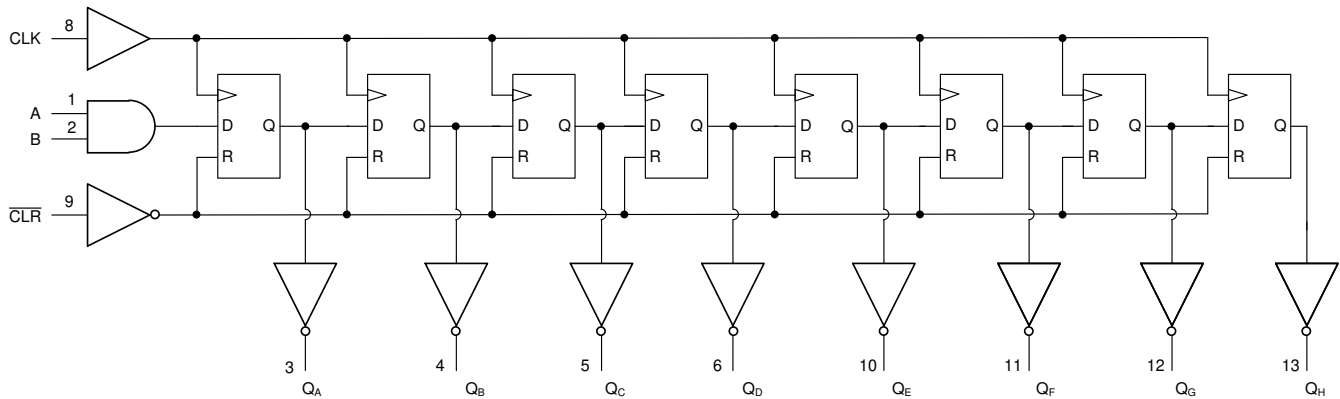


图 7-1. Functional Block Diagram

### 7.3 Device Functional Modes

Truth Table<sup>(1)</sup>

| OPERATING MODE | INPUTS |     |   |   | OUTPUTS |                                 |
|----------------|--------|-----|---|---|---------|---------------------------------|
|                | CLR    | CLK | A | B | QA      | QB - QH                         |
| RESET (CLEAR)  | L      | X   | X | X | L       | L - L                           |
| Shift          | H      | ↑   | l | l | L       | q <sub>A</sub> - q <sub>F</sub> |
|                | H      | ↑   | l | h | L       | q <sub>A</sub> - q <sub>F</sub> |
|                | H      | ↑   | h | l | L       | q <sub>A</sub> - q <sub>F</sub> |
|                | H      | ↑   | h | h | H       | q <sub>A</sub> - q <sub>F</sub> |

- (1) H = High voltage level.  
 h = High voltage level one set-up time prior to the low-to-high clock transition.  
 l = Low voltage level one set-up time prior to the low-to-high clock transition.  
 L = Low voltage level.  
 X = Don't care.  
 ↑ = Transition from low to high level.  
 q<sub>n</sub> = Lower case letters indicate the state of the reference input clock transition.

## 8 Power Supply Recommendations

The power supply can be any voltage between the minimum and maximum supply voltage rating located in the *Recommended Operating Conditions*. Each  $V_{CC}$  terminal should have a good bypass capacitor to prevent power disturbance. A 0.1- $\mu$ F capacitor is recommended for this device. It is acceptable to parallel multiple bypass caps to reject different frequencies of noise. The 0.1- $\mu$ F and 1- $\mu$ F capacitors are commonly used in parallel. The bypass capacitor should be installed as close to the power terminal as possible for best results.

## 9 Layout

### 9.1 Layout Guidelines

When using multiple-input and multiple-channel logic devices inputs must not ever be left floating. In many cases, functions or parts of functions of digital logic devices are unused; for example, when only two inputs of a triple-input AND gate are used or only 3 of the 4 buffer gates are used. Such unused input pins must not be left unconnected because the undefined voltages at the outside connections result in undefined operational states. All unused inputs of digital logic devices must be connected to a logic high or logic low voltage, as defined by the input voltage specifications, to prevent them from floating. The logic level that must be applied to any particular unused input depends on the function of the device. Generally, the inputs are tied to GND or  $V_{CC}$ , whichever makes more sense for the logic function or is more convenient.

## 10 Device and Documentation Support

TI offers an extensive line of development tools. Tools and software to evaluate the performance of the device, generate code, and develop solutions are listed below.

### 10.1 Documentation Support

#### 10.1.1 Related Documentation

### 10.2 接收文档更新通知

要接收文档更新通知，请导航至 [ti.com](http://ti.com) 上的器件产品文件夹。点击 [订阅更新](#) 进行注册，即可每周接收产品信息更改摘要。有关更改的详细信息，请查看任何已修订文档中包含的修订历史记录。

### 10.3 支持资源

TI E2E™ [支持论坛](#) 是工程师的重要参考资料，可直接从专家获得快速、经过验证的解答和设计帮助。搜索现有解答或提出自己的问题可获得所需的快速设计帮助。

链接的内容由各个贡献者“按原样”提供。这些内容并不构成 TI 技术规范，并且不一定反映 TI 的观点；请参阅 TI 的 [《使用条款》](#)。

### 10.4 Trademarks

TI E2E™ is a trademark of Texas Instruments.

所有商标均为其各自所有者的财产。

### 10.5 Electrostatic Discharge Caution



This integrated circuit can be damaged by ESD. Texas Instruments recommends that all integrated circuits be handled with appropriate precautions. Failure to observe proper handling and installation procedures can cause damage.

ESD damage can range from subtle performance degradation to complete device failure. Precision integrated circuits may be more susceptible to damage because very small parametric changes could cause the device not to meet its published specifications.

### 10.6 术语表

[TI 术语表](#) 本术语表列出并解释了术语、首字母缩略词和定义。

## 11 Mechanical, Packaging, and Orderable Information

The following pages include mechanical, packaging, and orderable information. This information is the most current data available for the designated devices. This data is subject to change without notice and revision of this document. For browser-based versions of this data sheet, refer to the left-hand navigation.

**PACKAGING INFORMATION**

| Orderable Device | Status<br>(1) | Package Type | Package Drawing | Pins | Package Qty | Eco Plan<br>(2)  | Lead finish/<br>Ball material<br>(6) | MSL Peak Temp<br>(3) | Op Temp (°C) | Device Marking<br>(4/5)         | Samples                 |
|------------------|---------------|--------------|-----------------|------|-------------|------------------|--------------------------------------|----------------------|--------------|---------------------------------|-------------------------|
| 5962-8970401CA   | ACTIVE        | CDIP         | J               | 14   | 1           | Non-RoHS & Green | SNPB                                 | N / A for Pkg Type   | -55 to 125   | 5962-8970401CA<br>CD54HCT164F3A | <a href="#">Samples</a> |
| CD54HC164F       | ACTIVE        | CDIP         | J               | 14   | 1           | Non-RoHS & Green | SNPB                                 | N / A for Pkg Type   | -55 to 125   | CD54HC164F                      | <a href="#">Samples</a> |
| CD54HC164F3A     | ACTIVE        | CDIP         | J               | 14   | 1           | Non-RoHS & Green | SNPB                                 | N / A for Pkg Type   | -55 to 125   | 8416201CA<br>CD54HC164F3A       | <a href="#">Samples</a> |
| CD54HCT164F3A    | ACTIVE        | CDIP         | J               | 14   | 1           | Non-RoHS & Green | SNPB                                 | N / A for Pkg Type   | -55 to 125   | 5962-8970401CA<br>CD54HCT164F3A | <a href="#">Samples</a> |
| CD74HC164E       | ACTIVE        | PDIP         | N               | 14   | 25          | RoHS & Green     | NIPDAU                               | N / A for Pkg Type   | -55 to 125   | CD74HC164E                      | <a href="#">Samples</a> |
| CD74HC164M       | ACTIVE        | SOIC         | D               | 14   | 50          | RoHS & Green     | NIPDAU                               | Level-1-260C-UNLIM   | -55 to 125   | HC164M                          | <a href="#">Samples</a> |
| CD74HC164M96     | ACTIVE        | SOIC         | D               | 14   | 2500        | RoHS & Green     | NIPDAU                               | Level-1-260C-UNLIM   | -55 to 125   | HC164M                          | <a href="#">Samples</a> |
| CD74HC164M96G4   | ACTIVE        | SOIC         | D               | 14   | 2500        | RoHS & Green     | NIPDAU                               | Level-1-260C-UNLIM   | -55 to 125   | HC164M                          | <a href="#">Samples</a> |
| CD74HC164ME4     | ACTIVE        | SOIC         | D               | 14   | 50          | RoHS & Green     | NIPDAU                               | Level-1-260C-UNLIM   | -55 to 125   | HC164M                          | <a href="#">Samples</a> |
| CD74HC164MT      | ACTIVE        | SOIC         | D               | 14   | 250         | RoHS & Green     | NIPDAU                               | Level-1-260C-UNLIM   | -55 to 125   | HC164M                          | <a href="#">Samples</a> |
| CD74HCT164E      | ACTIVE        | PDIP         | N               | 14   | 25          | RoHS & Green     | NIPDAU                               | N / A for Pkg Type   | -55 to 125   | CD74HCT164E                     | <a href="#">Samples</a> |
| CD74HCT164M      | ACTIVE        | SOIC         | D               | 14   | 50          | RoHS & Green     | NIPDAU                               | Level-1-260C-UNLIM   | -55 to 125   | HCT164M                         | <a href="#">Samples</a> |
| CD74HCT164M96    | ACTIVE        | SOIC         | D               | 14   | 2500        | RoHS & Green     | NIPDAU                               | Level-1-260C-UNLIM   | -55 to 125   | HCT164M                         | <a href="#">Samples</a> |
| CD74HCT164M96E4  | ACTIVE        | SOIC         | D               | 14   | 2500        | RoHS & Green     | NIPDAU                               | Level-1-260C-UNLIM   | -55 to 125   | HCT164M                         | <a href="#">Samples</a> |
| CD74HCT164MT     | ACTIVE        | SOIC         | D               | 14   | 250         | RoHS & Green     | NIPDAU                               | Level-1-260C-UNLIM   | -55 to 125   | HCT164M                         | <a href="#">Samples</a> |

(1) The marketing status values are defined as follows:

**ACTIVE:** Product device recommended for new designs.

**LIFEBUY:** TI has announced that the device will be discontinued, and a lifetime-buy period is in effect.

**NRND:** Not recommended for new designs. Device is in production to support existing customers, but TI does not recommend using this part in a new design.

**PREVIEW:** Device has been announced but is not in production. Samples may or may not be available.

**OBSOLETE:** TI has discontinued the production of the device.

(2) **RoHS:** TI defines "RoHS" to mean semiconductor products that are compliant with the current EU RoHS requirements for all 10 RoHS substances, including the requirement that RoHS substance do not exceed 0.1% by weight in homogeneous materials. Where designed to be soldered at high temperatures, "RoHS" products are suitable for use in specified lead-free processes. TI may reference these types of products as "Pb-Free".

**RoHS Exempt:** TI defines "RoHS Exempt" to mean products that contain lead but are compliant with EU RoHS pursuant to a specific EU RoHS exemption.

**Green:** TI defines "Green" to mean the content of Chlorine (Cl) and Bromine (Br) based flame retardants meet JS709B low halogen requirements of  $\leq 1000$ ppm threshold. Antimony trioxide based flame retardants must also meet the  $\leq 1000$ ppm threshold requirement.

(3) MSL, Peak Temp. - The Moisture Sensitivity Level rating according to the JEDEC industry standard classifications, and peak solder temperature.

(4) There may be additional marking, which relates to the logo, the lot trace code information, or the environmental category on the device.

(5) Multiple Device Markings will be inside parentheses. Only one Device Marking contained in parentheses and separated by a "~" will appear on a device. If a line is indented then it is a continuation of the previous line and the two combined represent the entire Device Marking for that device.

(6) Lead finish/Ball material - Orderable Devices may have multiple material finish options. Finish options are separated by a vertical ruled line. Lead finish/Ball material values may wrap to two lines if the finish value exceeds the maximum column width.

**Important Information and Disclaimer:** The information provided on this page represents TI's knowledge and belief as of the date that it is provided. TI bases its knowledge and belief on information provided by third parties, and makes no representation or warranty as to the accuracy of such information. Efforts are underway to better integrate information from third parties. TI has taken and continues to take reasonable steps to provide representative and accurate information but may not have conducted destructive testing or chemical analysis on incoming materials and chemicals. TI and TI suppliers consider certain information to be proprietary, and thus CAS numbers and other limited information may not be available for release.

In no event shall TI's liability arising out of such information exceed the total purchase price of the TI part(s) at issue in this document sold by TI to Customer on an annual basis.

**OTHER QUALIFIED VERSIONS OF CD54HC164, CD54HCT164, CD74HC164, CD74HCT164 :**

● Catalog : [CD74HC164](#), [CD74HCT164](#)

● Military : [CD54HC164](#), [CD54HCT164](#)

NOTE: Qualified Version Definitions:

● Catalog - TI's standard catalog product

● Military - QML certified for Military and Defense Applications

**TAPE AND REEL INFORMATION**

**QUADRANT ASSIGNMENTS FOR PIN 1 ORIENTATION IN TAPE**


\*All dimensions are nominal

| Device        | Package Type | Package Drawing | Pins | SPQ  | Reel Diameter (mm) | Reel Width W1 (mm) | A0 (mm) | B0 (mm) | K0 (mm) | P1 (mm) | W (mm) | Pin1 Quadrant |
|---------------|--------------|-----------------|------|------|--------------------|--------------------|---------|---------|---------|---------|--------|---------------|
| CD74HC164M96  | SOIC         | D               | 14   | 2500 | 330.0              | 16.4               | 6.5     | 9.0     | 2.1     | 8.0     | 16.0   | Q1            |
| CD74HC164MT   | SOIC         | D               | 14   | 250  | 330.0              | 16.4               | 6.5     | 9.0     | 2.1     | 8.0     | 16.0   | Q1            |
| CD74HCT164M96 | SOIC         | D               | 14   | 2500 | 330.0              | 16.4               | 6.5     | 9.0     | 2.1     | 8.0     | 16.0   | Q1            |
| CD74HCT164MT  | SOIC         | D               | 14   | 250  | 330.0              | 16.4               | 6.5     | 9.0     | 2.1     | 8.0     | 16.0   | Q1            |

**TAPE AND REEL BOX DIMENSIONS**


\*All dimensions are nominal

| Device        | Package Type | Package Drawing | Pins | SPQ  | Length (mm) | Width (mm) | Height (mm) |
|---------------|--------------|-----------------|------|------|-------------|------------|-------------|
| CD74HC164M96  | SOIC         | D               | 14   | 2500 | 356.0       | 356.0      | 35.0        |
| CD74HC164MT   | SOIC         | D               | 14   | 250  | 210.0       | 185.0      | 35.0        |
| CD74HCT164M96 | SOIC         | D               | 14   | 2500 | 356.0       | 356.0      | 35.0        |
| CD74HCT164MT  | SOIC         | D               | 14   | 250  | 210.0       | 185.0      | 35.0        |

**TUBE**


\*All dimensions are nominal

| Device       | Package Name | Package Type | Pins | SPQ | L (mm) | W (mm) | T (μm) | B (mm) |
|--------------|--------------|--------------|------|-----|--------|--------|--------|--------|
| CD74HC164E   | N            | PDIP         | 14   | 25  | 506    | 13.97  | 11230  | 4.32   |
| CD74HC164E   | N            | PDIP         | 14   | 25  | 506    | 13.97  | 11230  | 4.32   |
| CD74HC164M   | D            | SOIC         | 14   | 50  | 506.6  | 8      | 3940   | 4.32   |
| CD74HC164ME4 | D            | SOIC         | 14   | 50  | 506.6  | 8      | 3940   | 4.32   |
| CD74HCT164E  | N            | PDIP         | 14   | 25  | 506    | 13.97  | 11230  | 4.32   |
| CD74HCT164E  | N            | PDIP         | 14   | 25  | 506    | 13.97  | 11230  | 4.32   |
| CD74HCT164M  | D            | SOIC         | 14   | 50  | 506.6  | 8      | 3940   | 4.32   |



J 14

**GENERIC PACKAGE VIEW**  
**CDIP - 5.08 mm max height**  
CERAMIC DUAL IN LINE PACKAGE



Images above are just a representation of the package family, actual package may vary.  
Refer to the product data sheet for package details.

4040083-5/G

J0014A



# PACKAGE OUTLINE

CDIP - 5.08 mm max height

CERAMIC DUAL IN LINE PACKAGE



4214771/A 05/2017

NOTES:

1. All controlling linear dimensions are in inches. Dimensions in brackets are in millimeters. Any dimension in brackets or parenthesis are for reference only. Dimensioning and tolerancing per ASME Y14.5M.
2. This drawing is subject to change without notice.
3. This package is hermetically sealed with a ceramic lid using glass frit.
4. Index point is provided on cap for terminal identification only and on press ceramic glass frit seal only.
5. Falls within MIL-STD-1835 and GDIP1-T14.

# EXAMPLE BOARD LAYOUT

J0014A

CDIP - 5.08 mm max height

CERAMIC DUAL IN LINE PACKAGE



LAND PATTERN EXAMPLE  
NON-SOLDER MASK DEFINED  
SCALE: 5X



4214771/A 05/2017

D (R-PDSO-G14)

PLASTIC SMALL OUTLINE



- NOTES:
- A. All linear dimensions are in inches (millimeters).
  - B. This drawing is subject to change without notice.
  -  Body length does not include mold flash, protrusions, or gate burrs. Mold flash, protrusions, or gate burrs shall not exceed 0.006 (0,15) each side.
  -  Body width does not include interlead flash. Interlead flash shall not exceed 0.017 (0,43) each side.
  - E. Reference JEDEC MS-012 variation AB.

D (R-PDSO-G14)

PLASTIC SMALL OUTLINE



- NOTES:
- All linear dimensions are in millimeters.
  - This drawing is subject to change without notice.
  - Publication IPC-7351 is recommended for alternate designs.
  - Laser cutting apertures with trapezoidal walls and also rounding corners will offer better paste release. Customers should contact their board assembly site for stencil design recommendations. Refer to IPC-7525 for other stencil recommendations.
  - Customers should contact their board fabrication site for solder mask tolerances between and around signal pads.

N (R-PDIP-T\*\*)

PLASTIC DUAL-IN-LINE PACKAGE

16 PINS SHOWN



4040049/E 12/2002

- NOTES:
- A. All linear dimensions are in inches (millimeters).
  - B. This drawing is subject to change without notice.
  - (C) Falls within JEDEC MS-001, except 18 and 20 pin minimum body length (Dim A).
  - (D) The 20 pin end lead shoulder width is a vendor option, either half or full width.

## 重要声明和免责声明

TI“按原样”提供技术和可靠性数据（包括数据表）、设计资源（包括参考设计）、应用或其他设计建议、网络工具、安全信息和其他资源，不保证没有瑕疵且不做任何明示或暗示的担保，包括但不限于对适销性、某特定用途方面的适用性或不侵犯任何第三方知识产权的暗示担保。

这些资源可供使用 TI 产品进行设计的熟练开发人员使用。您将自行承担以下全部责任：(1) 针对您的应用选择合适的 TI 产品，(2) 设计、验证并测试您的应用，(3) 确保您的应用满足相应标准以及任何其他功能安全、信息安全、监管或其他要求。

这些资源如有变更，恕不另行通知。TI 授权您仅可将这些资源用于研发本资源所述的 TI 产品的应用。严禁对这些资源进行其他复制或展示。您无权使用任何其他 TI 知识产权或任何第三方知识产权。您应全额赔偿因在这些资源的使用中对 TI 及其代表造成的任何索赔、损害、成本、损失和债务，TI 对此概不负责。

TI 提供的产品受 [TI 的销售条款](#) 或 [ti.com](#) 上其他适用条款/TI 产品随附的其他适用条款的约束。TI 提供这些资源并不会扩展或以其他方式更改 TI 针对 TI 产品发布的适用的担保或担保免责声明。

TI 反对并拒绝您可能提出的任何其他或不同的条款。

邮寄地址：Texas Instruments, Post Office Box 655303, Dallas, Texas 75265

Copyright © 2022，德州仪器 (TI) 公司