

## SN74AUP1T34 1 位单向电压电平转换器

### 1 特性

- 0.9V 至 3.6V 的宽运行 VCC 范围
- 均衡的传播延迟:  $t_{PLH} = t_{PHL}$  (1.8V 至 3.3V 转换时的典型值)
- 低静态功耗: 最大 5 $\mu$ A ICC
- $\pm 6$ mA 输出驱动 (电压为 3V 时)
- $I_{off}$  支持部分掉电模式运行
- VCC 隔离特性 – 如果 V<sub>CCA</sub> 输入接地, 则 B 端口处于高阻态
- 输入滞后可实现输入转换和输入上更好的开关噪声抗扰度
- 静电放电 (ESD) 保护性能超过 JESD 22 规范要求
- 5000V 人体放电模式 (A114-A)
- 锁断性能超过 100mA, 符合 JESD 78 II 类规范的要求

### 2 应用

- 企业
- 工业
- 个人电子产品
- 电信

### 3 说明

SN74AUP1T34 器件是一款 1 位非反向转换器, 使用两条独立的可配置电源轨。它是一个从 A 至 B 的单向转换器。A 端口设计用来跟踪 V<sub>CCA</sub>。V<sub>CCA</sub> 可接受从 0.9V 到 3.6V 范围内的电源电压。B 端口设计用于跟踪 V<sub>CCB</sub>。V<sub>CCB</sub> 可接受从 0.9V 至 3.6V 间的电源电压值。这可实现 1V, 1.2V, 1.5V, 1.8V, 2.5V 和 3.3V 电压节点间的低压转换。此外, SN74AUP1T34 完全适用于使用  $I_{off}$  的局部掉电应用。 $I_{off}$  电路会禁用输出, 从而在器件掉电时防止电流回流损坏器件。

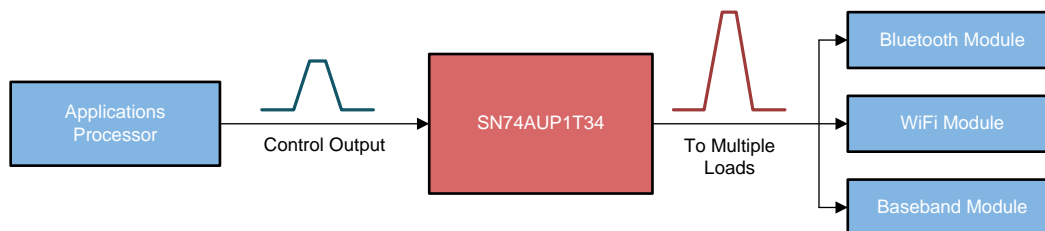
VCC 隔离特性确保了在 V<sub>CCA</sub> 输入在 GND 上时, B 端口处于高阻抗状态。如果 V<sub>CCB</sub> 输入在 GND 上, 到 A 侧的任一输入都不会导致泄漏电流, 即使在悬空状态时也是如此。

#### 器件信息(1)

器件型号	封装	封装尺寸 (标称值)
SN74AUP1T34DCK	SC70 (5)	2.00mm x 1.25mm
SN74AUP1T34DRY	SON (6)	1.45mm x 1.00mm
SN74AUP1T34DSF	SON (6)	1.00mm x 1.00mm

(1) 要了解所有可用封装, 参阅数据表末尾的可订购产品附录。

#### 示例应用



目录

1 特性 .....	1	8.2 Functional Block Diagram .....	12
2 应用 .....	1	8.3 Feature Description .....	12
3 说明 .....	1	8.4 Device Functional Modes .....	12
4 修订历史记录 .....	2	<b>9 Application and Implementation .....</b>	<b>13</b>
<b>5 Pin Configuration and Functions .....</b>	<b>4</b>	9.1 Application Information .....	13
<b>6 Specifications .....</b>	<b>5</b>	9.2 Typical Application .....	13
6.1 Absolute Maximum Ratings .....	5	<b>10 Power Supply Recommendations .....</b>	<b>15</b>
6.2 ESD Ratings .....	5	<b>11 Layout .....</b>	<b>15</b>
6.3 Recommended Operating Conditions .....	6	11.1 Layout Guidelines .....	15
6.4 Thermal Information .....	6	11.2 Layout Example .....	15
6.5 Electrical Characteristics: DC .....	7	<b>12 器件和文档支持 .....</b>	<b>16</b>
6.6 Electrical Characteristics: AC .....	8	12.1 社区资源 .....	16
6.7 Typical Characteristics .....	11	12.2 商标 .....	16
<b>7 Parameter Measurement Information .....</b>	<b>11</b>	12.3 静电放电警告 .....	16
<b>8 Detailed Description .....</b>	<b>12</b>	12.4 Glossary .....	16
8.1 Overview .....	12	<b>13 机械、封装和可订购信息 .....</b>	<b>16</b>

4 修订历史记录

注：之前版本的页码可能与当前版本有所不同。

Changes from Revision E (June 2016) to Revision F	Page
• Added operating junction temperature to <i>Absolute Maximum Ratings</i> table .....	5
• Updated <i>Recommended Operating Conditions</i> table .....	6
• Updated the $V_{CCB}$ value for the parameter 'high-level input voltage' in the <i>Recommended Operating Conditions</i> table .....	6
• Updated the $V_{CCB}$ value for the parameter 'low-level input voltage' in the <i>Recommended Operating Conditions</i> table .....	6
• Added <i>Electrical Characteristics: DC</i> table .....	7

Changes from Revision D (April 2016) to Revision E	Page
• Changed pin A number From: 3 To: 2 and GND From: 2 To: 3 for the SC70 package in the <i>Pin Configuration and Functions</i> section .....	4

Changes from Revision C (May 2013) to Revision D	Page
• 添加了 <i>ESD</i> 额定值表、特性说明部分、器件功能模式、应用和实施部分、电源建议部分、布局部分、器件和文档支持部分以及机械、封装和可订购信息部分。 .....	1
• 已删除订购信息表 .....	1

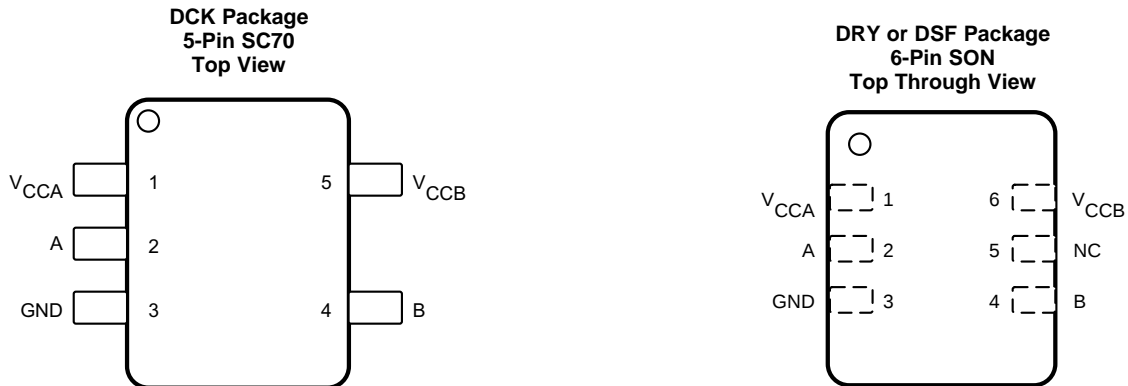
Changes from Revision B (July 2012) to Revision C	Page
• 已添加特性：VCC 隔离特性 – 如果 $V_{CCA}$ 输入接地，则 B 端口处于高阻态。 .....	1
• Updated <i>Pin Functions</i> table. ....	4
• Deleted $I_{OZ}$ PARAMETER from RECOMMENDED OPERATION CONDITIONS. ....	6
• Added $V_{MI}$ and $V_{MO}$ equations to Waveform 1 graphic. ....	10
• 已添加 FUNCTION TABLE. ....	12

---

**Changes from Revision A (June 2012) to Revision B****Page**

- 
- 已删除特性：输出使能特性方便用户禁用输出，从而降低功耗。 ..... 1
-

## 5 Pin Configuration and Functions



### Pin Functions

NAME	PIN		I/O	DESCRIPTION
	SC70	SON		
A	2	2	I	Input Port
B	4	4	O	Output Port
GND	3	3	—	Ground
V <sub>CCA</sub>	1	1	—	Input Port DC Power Supply
V <sub>CCB</sub>	5	6	—	Output Port DC Power Supply
NC	—	5	—	No Connect. Leave floating.

## 6 Specifications

### 6.1 Absolute Maximum Ratings

over operating free-air temperature range (unless otherwise noted)

		MIN	MAX	UNIT
Supply voltage, $V_{CCA}$ and $V_{CCB}$		-0.3	4	V
Input voltage, $V_I$		-0.5	4.6	V
		-0.5	4.6	
		-0.5	4.6	
Voltage applied to any output in the high-impedance or power-off state, $V_O$		-0.5	4.6	V
		-0.5	4.6	
Voltage applied to any output in the high or low state, $V_O$		-0.5	4.6	V
		-0.5	4.6	
Input clamp current, $I_{IK}$	$V_I < 0\text{ V}$		-50	mA
Output clamp current, $I_{OK}$	$V_O < 0\text{ V}$		-50	mA
Continuous output current, $I_O$			±50	mA
Continuous current through $V_{CCA}$ or GND			±100	mA
Storage temperature, $T_{stg}$		-65	150	°C
Operating junction temperature, $T_J$			150	°C

### 6.2 ESD Ratings

		VALUE	UNIT
$V_{(ESD)}$ Electrostatic discharge	Human-body model (HBM), per ANSI/ESDA/JEDEC JS-001 <sup>(1)</sup>	5000	V
	Charged-device model (CDM), per JEDEC specification JESD22-C101 <sup>(2)</sup>	750	

(1) JEDEC document JEP155 states that 500-V HBM allows safe manufacturing with a standard ESD control process.

(2) JEDEC document JEP157 states that 250-V CDM allows safe manufacturing with a standard ESD control process.

### 6.3 Recommended Operating Conditions

over operating free-air temperature range (unless otherwise noted)

			MIN	NOM	MAX	UNIT	
V <sub>CCA</sub>	Supply voltage		0.9		3.6	V	
V <sub>CCB</sub>	Supply voltage		0.9		3.6	V	
V <sub>IH</sub>	High-level input voltage	V <sub>CCA</sub> = 0.9 V to 1.95 V	V <sub>CCB</sub> = 0.9 V to 3.6 V		0.65 × V <sub>CCA</sub>	V	
		V <sub>CCA</sub> = 2.3 V to 2.7 V	V <sub>CCB</sub> = 0.9 V to 3.6 V		1.6		
		V <sub>CCA</sub> = 3 V to 3.6 V	V <sub>CCB</sub> = 0.9 V to 3.6 V		2		
V <sub>IH</sub>	Low-level input voltage	V <sub>CCA</sub> = 0.9 V	V <sub>CCB</sub> = 0.9 V to 3.6 V		0.3 × V <sub>CCA</sub>	V	
		V <sub>CCA</sub> = 1 V to 1.95 V	V <sub>CCB</sub> = 0.9 V to 3.6 V		0.35 × V <sub>CCA</sub>		
		V <sub>CCA</sub> = 2.3 V to 2.7 V	V <sub>CCB</sub> = 0.9 V to 3.6 V		0.7		
		V <sub>CCA</sub> = 3 V to 3.6 V	V <sub>CCB</sub> = 0.9 V to 3.6 V		0.9		
Δt/Δv	Input transition rise or fall rate	V <sub>CCA</sub> = 3 V to 3.6 V	V <sub>CCB</sub> = 0.9 V to 3.6 V		200	ns/V	
T <sub>A</sub>	Operating free-air temperature				–40	85	°C

### 6.4 Thermal Information

THERMAL METRIC <sup>(1)</sup>	SN74AUP1T34			UNIT	
	DCK (SC70)	DRY (SON)	DSF (SON)		
	5 PINS	6 PINS	6 PINS		
R <sub>θJA</sub>	Junction-to-ambient thermal resistance	300.8	338.5	367.1	°C/W
R <sub>θJC(top)</sub>	Junction-to-case (top) thermal resistance	141.3	240.4	188.8	°C/W
R <sub>θJB</sub>	Junction-to-board thermal resistance	77.3	224.6	274.6	°C/W
ψ <sub>JT</sub>	Junction-to-top characterization parameter	12.6	86.8	24.1	°C/W
ψ <sub>JB</sub>	Junction-to-board characterization parameter	76.5	221.4	273.1	°C/W

(1) For more information about traditional and new thermal metrics, see the [Semiconductor and IC Package Thermal Metrics](#) application report.

## 6.5 Electrical Characteristics: DC

over operating free-air temperature range (unless otherwise noted)

PARAMETER	TEST CONDITIONS	V <sub>CCA</sub>	V <sub>CCB</sub>	MIN	MAX	UNIT
V <sub>OH</sub> High-level output voltage	V <sub>I</sub> = V <sub>IH</sub>	I <sub>OH</sub> = -100 μA	0.9 V to 3.6 V	0.9 V to 3.6 V	V <sub>CCB</sub> - 0.2	V
		I <sub>OH</sub> = -0.25 mA	0.9 V to 1 V	0.9 V to 1 V	0.75 × V <sub>CCB</sub>	
		I <sub>OH</sub> = -1.5 mA	1.2 V	1.2 V	1	
		I <sub>OH</sub> = -2 mA	1.65 V	1.65 V	1.32	
		I <sub>OH</sub> = -3 mA	2.3 V	2.3 V	1.9	
		I <sub>OH</sub> = -6 mA	3 V	3 V	2.72	
V <sub>OL</sub> Low-level output voltage	V <sub>I</sub> = V <sub>IL</sub>	I <sub>OL</sub> = 100 μA	0.9 V to 3.6 V	0.9 V to 3.6 V	0.1	V
		I <sub>OL</sub> = 0.25 mA	0.9 V to 1 V	0.9 V to 1 V	0.1	
		I <sub>OL</sub> = 1.5 mA	1.2 V	1.2 V	0.3 × V <sub>CCB</sub>	
		I <sub>OL</sub> = 2 mA	1.65 V	1.65 V	0.31	
		I <sub>OL</sub> = 3 mA	2.3 V	2.3 V	0.31	
		I <sub>OL</sub> = 6 mA	3 V	3 V	0.31	
I <sub>I</sub> Input leakage current	V <sub>I</sub> = V <sub>CCA</sub> or GND	0.9 V to 3.6 V	0.9 V to 3.6 V		±1	μA
I <sub>off</sub> Off-state current	A or B port: V <sub>I</sub> or V <sub>O</sub> = 0 to 3.6 V	0 V	0 V to 3.6 V		±5	μA
		0 V to 3.6 V	0 V		±5	
I <sub>CCA</sub> V <sub>CCA</sub> supply current	V <sub>I</sub> = V <sub>CCI</sub> or GND, I <sub>O</sub> = 0 mA	0.9 V to 3.6 V	0.9 V to 3.6 V		5	μA
		0.9 V to 3.6 V	V <sub>CCA</sub>		2	
		0 V	0 V to 3.6 V		1	
		0 V to 3.6 V	0 V		1	
I <sub>CCB</sub> V <sub>CCB</sub> supply current	V <sub>I</sub> = V <sub>CCI</sub> or GND, I <sub>O</sub> = 0 mA	0.9 V to 3.6 V	0.9 V to 3.6 V		5	μA
		0.9 V to 3.6 V	V <sub>CCA</sub>		2	
		0 V	0 V to 3.6 V		1	
		0 V to 3.6 V	0 V		1	
I <sub>CCA</sub> + I <sub>CCB</sub> Combined supply current	V <sub>I</sub> = V <sub>CCI</sub> or GND, I <sub>O</sub> = 0 mA	0.9 V to 3.6 V	0.9 V to 3.6 V		5.2	μA
C <sub>I</sub> Input capacitance	V <sub>I</sub> = 3.3 V or GND	3.3 V	3.3 V		4	pF
C <sub>I/O</sub> Input-to-output internal capacitance	A or B port: V <sub>O</sub> = 3.3 V or GND	0 V	3.3 V		7	pF

## 6.6 Electrical Characteristics: AC

over operating free-air temperature range (unless otherwise noted)

PARAMETER	TEST CONDITIONS	$V_{CCA}$	$V_{CCB}$	MIN	TYP	MAX	UNIT	
$t_{PLH}/t_{PHL}$ Propagation delay time low-to-high output / high-to-low output	$C_L = 5\text{ pF}$	0.9 V	0.9 V		25		ns	
			1.2 V		18			
			1.65 V		16.2			
			2.3 V		16.3			
			3 V		16.8			
	$C_L = 5\text{ pF}$	1.2 V	0.9 V					42.5
			1.2 V					24.9
			1.65 V					23.2
			2.3 V					22.6
			3 V					22.5
	$C_L = 5\text{ pF}$	1.65 V	0.9 V					40
			1.2 V					10.7
			1.65 V					8.84
			2.3 V					8.08
			3 V					7.88
	$C_L = 5\text{ pF}$	2.3 V	0.9 V					41.3
			1.2 V					8.02
			1.65 V					5.73
			2.3 V					4.92
			3 V					4.2
$C_L = 5\text{ pF}$	3 V	0.9 V				42.5		
		1.2 V				7.61		
		1.65 V				4.5		
		2.3 V				3.65		
		3 V				3.39		
$t_{PLH}/t_{PHL}$ Propagation delay time low-to-high output / high-to-low output	$C_L = 10\text{ pF}$	0.9 V	0.9 V		28.9		ns	
			1.2 V		19.8			
			1.65 V		17.9			
			2.3 V		18			
			3 V		18.5			
	$C_L = 10\text{ pF}$	1.2 V	0.9 V					43.22
			1.2 V					12.33
			1.65 V					9.57
			2.3 V					8.81
			3 V					8.61
	$C_L = 10\text{ pF}$	1.65 V	0.9 V					40.44
			1.2 V					9.21
			1.65 V					6.57
			2.3 V					5.5
			3 V					4.73
	$C_L = 10\text{ pF}$	2.3 V	0.9 V					41.56
			1.2 V					8.3
			1.65 V					5.54
			2.3 V					4.42
			3 V					4.01
$C_L = 10\text{ pF}$	3 V	0.9 V				42.81		
		1.2 V				7.87		
		1.65 V				4.55		
		2.3 V				3.8		
		3 V				3.36		



**Electrical Characteristics: AC (continued)**

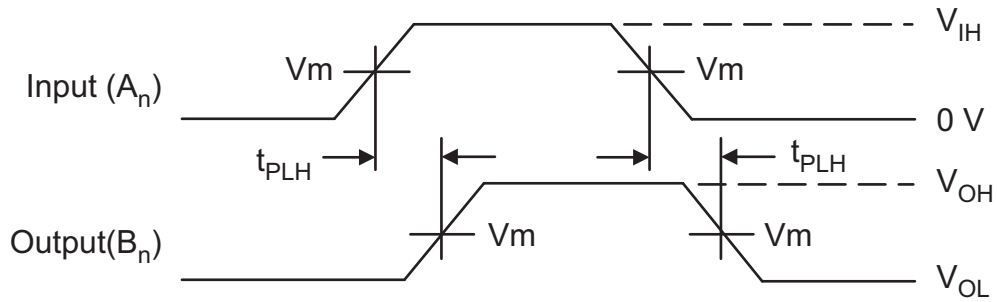
over operating free-air temperature range (unless otherwise noted)

PARAMETER	TEST CONDITIONS	V <sub>CCA</sub>	V <sub>CCB</sub>	MIN	TYP	MAX	UNIT	
t <sub>PLH</sub> /t <sub>PHL</sub> Propagation delay time low-to-high output / high-to-low output	C <sub>L</sub> = 15 pF	0.9 V	0.9 V		30.6		ns	
			1.2 V		21.6			
			1.65 V		19.6			
			2.3 V		19.7			
			3 V		20.3			
	C <sub>L</sub> = 15 pF	1.2 V	0.9 V					43.87
			1.2 V					12.98
			1.65 V					10.3
			2.3 V					9.54
			3 V					9.34
	C <sub>L</sub> = 15 pF	1.65 V	0.9 V					40.78
			1.2 V					9.59
			1.65 V					6.95
			2.3 V					5.87
			3 V					5.07
	C <sub>L</sub> = 15 pF	2.3 V	0.9 V					41.79
			1.2 V					8.55
			1.65 V					5.8
			2.3 V					4.68
			3 V					4.27
C <sub>L</sub> = 15 pF	3 V	0.9 V				43.09		
		1.2 V				8.16		
		1.65 V				4.84		
		2.3 V				4.09		
		3 V				3.65		
t <sub>PLH</sub> /t <sub>PHL</sub> Propagation delay time low-to-high output / high-to-low output	C <sub>L</sub> = 30 pF	0.9 V	0.9 V		32.1		ns	
			1.2 V		21.3			
			1.65 V		18.7			
			2.3 V		18			
			3 V		18.3			
	C <sub>L</sub> = 30 pF	1.2 V	0.9 V					45.65
			1.2 V					14.76
			1.65 V					12.37
			2.3 V					11.61
			3 V					11.41
	C <sub>L</sub> = 30 pF	1.65 V	0.9 V					41.72
			1.2 V					10.65
			1.65 V					8.01
			2.3 V					6.94
			3 V					5.99
	C <sub>L</sub> = 30 pF	2.3 V	0.9 V					42.44
			1.2 V					9.26
			1.65 V					6.51
			2.3 V					5.39
			3 V					4.97
C <sub>L</sub> = 30 pF	3 V	0.9 V				43.69		
		1.2 V				8.8		
		1.65 V				5.48		
		2.3 V				4.72		
		3 V				4.28		

**SN74AUP1T34**

ZHCS961F –JUNE 2012 –REVISED APRIL 2018

[www.ti.com.cn](http://www.ti.com.cn)



$V_{MI} = V_{IH}/2; V_{MO} = V_{CCB}/2$

$t_R = t_F = 2.0 \text{ ns, } 10\% \text{ to } 90\%; f = 1 \text{ MHz; } t_W = 500 \text{ ns}$

**Figure 1. Waveform 1 – Propagation Delays**

### 6.7 Typical Characteristics

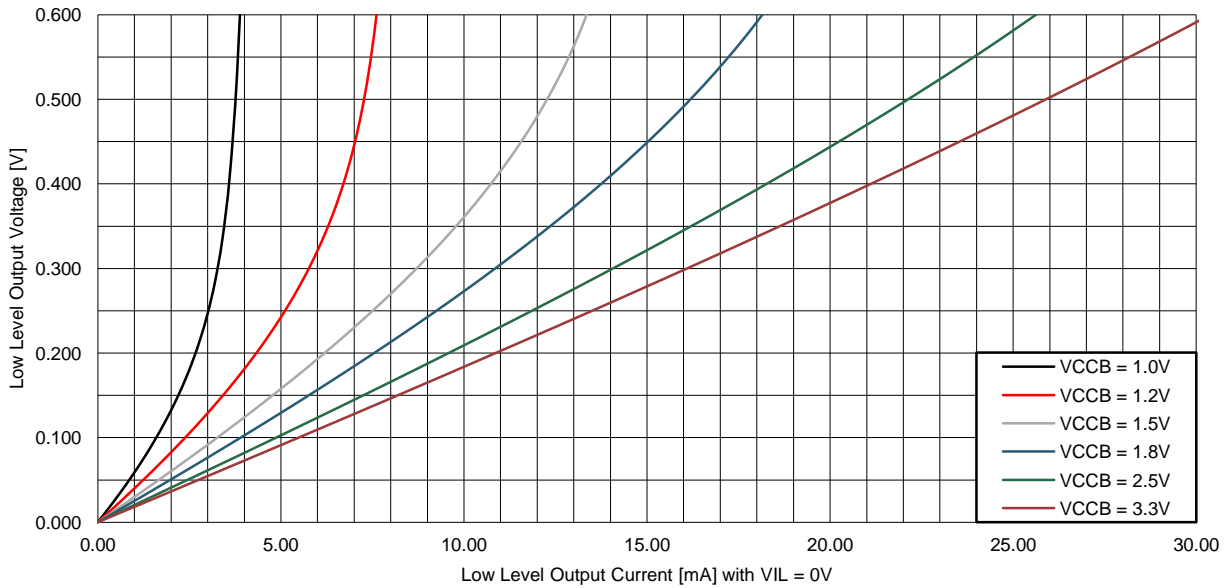
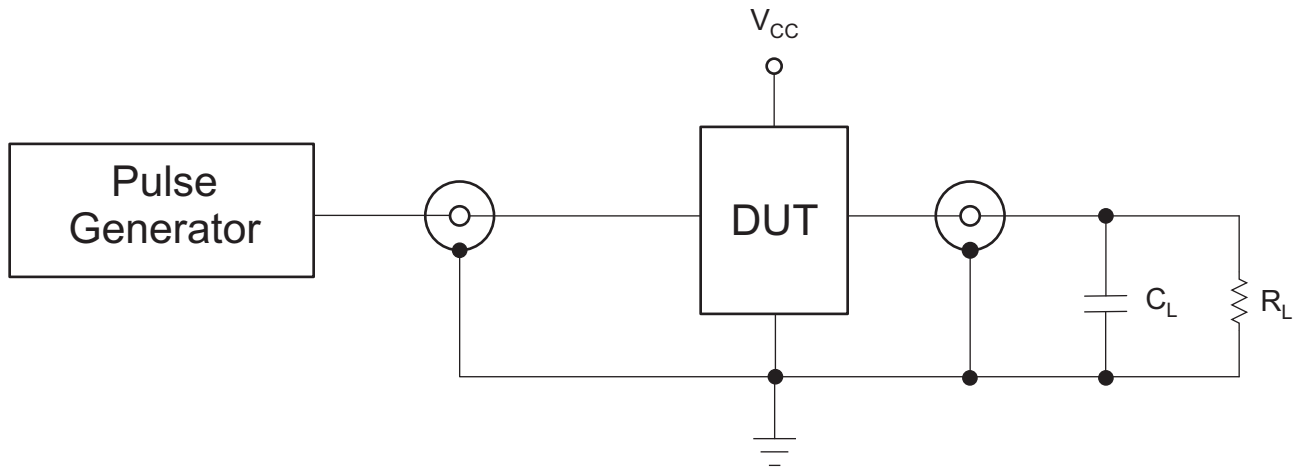


图 2. Low Level Output Voltage vs Low Level Output Current

### 7 Parameter Measurement Information



#### TEST

$t_{PLH}$ ,  $t_{PHL}$

$C_L$  = 5 pF, 10 pF, 15 pF, 30 pF or equivalent (includes probe and jig capacitance)

$R_L$  = 1 M $\Omega$  or equivalent

$Z_{OUT}$  of pulse generator = 50  $\Omega$

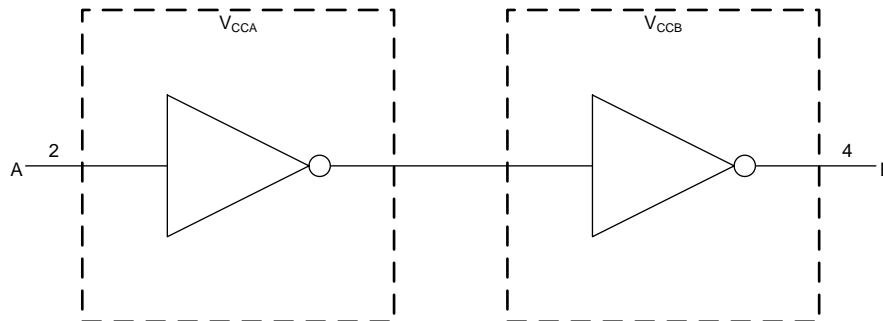
图 3. AC (Propagation Delay) Test Circuit

## 8 Detailed Description

### 8.1 Overview

The SN74AUP1T34 is a unidirectional, single-bit, dual-supply, noninverting voltage-level translator. Pin A, which is referenced to  $V_{CCA}$ , receives the signal that is to be level translated. Pin B, which is referenced to  $V_{CCB}$ , transmits the level translated signal. Both supply pins  $V_{CCA}$  and  $V_{CCB}$  support a voltage range from 0.9 V to 3.6 V.

### 8.2 Functional Block Diagram



### 8.3 Feature Description

#### 8.3.1 Fully Configurable Dual-Rail Design

Both  $V_{CCA}$  and  $V_{CCB}$  can be supplied at any voltage from 0.9 V to 3.6 V, making the device suitable for translating between any of the voltage nodes (1 V, 1.2 V, 1.8 V, 2.5 V, and 3.3 V).

#### 8.3.2 Partial-Power-Down Mode Operation

$I_{off}$  circuitry disables the outputs, preventing damaging current backflow through the SN74AUP1T34 when it is powered down. This can occur in applications where subsections of a system are powered down (partial-power-down) to reduce power consumption.

#### 8.3.3 $V_{CC}$ Isolation

The  $V_{CC}$  isolation feature ensures that if either  $V_{CCA}$  or  $V_{CCB}$  are at GND (or  $< 0.4$  V), both ports A and B are set to a high-impedance state, preventing false logic levels from being presented to either bus.

#### 8.3.4 Input Hysteresis

Input hysteresis allows the input to support slew rates as slow as 200 ns/V, improving switching noise immunity.

### 8.4 Device Functional Modes

表 1 lists the functional modes of the SN74AUP1T34.

表 1. Function Table

INPUT	OUTPUT
A PORT	B PORT
L	L
H	H

## 9 Application and Implementation

### 注

Information in the following applications sections is not part of the TI component specification, and TI does not warrant its accuracy or completeness. TI's customers are responsible for determining suitability of components for their purposes. Customers should validate and test their design implementation to confirm system functionality.

### 9.1 Application Information

The SN74AUP1T34 can be used in level-translation applications for interfacing devices or systems operating at different interface voltages with one another.

### 9.2 Typical Application

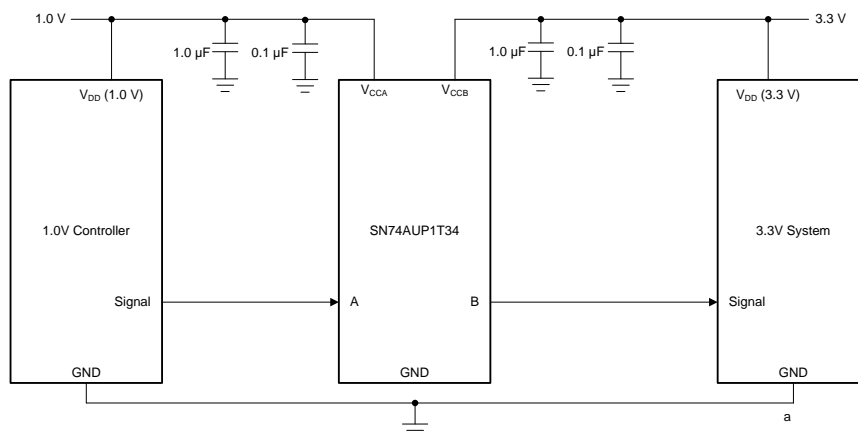


图 4. Typical Application Example

#### 9.2.1 Design Requirements

表 2 lists the design requirements of the SN74AUP1T34.

表 2. Design Parameters

DESIGN PARAMETER	EXAMPLE VALUE
Input Voltage Range	0.9 V to 3.6 V
Output Voltage Range	0.9 V to 3.6 V

#### 9.2.2 Detailed Design Procedure

To begin the design process, determine the following:

- Input voltage range
  - Use the supply voltage of the device that is driving the SN74AUP1T34 device to determine the input voltage range. For a valid logic-high, the value must exceed the  $V_{IH}$  of the input port. For a valid logic low the value must be less than the  $V_{IL}$  of the input port.
- Output voltage range
  - Use the supply voltage of the device that the SN74AUP1T34 device is driving to determine the output voltage range.

### 9.2.3 Application Curve

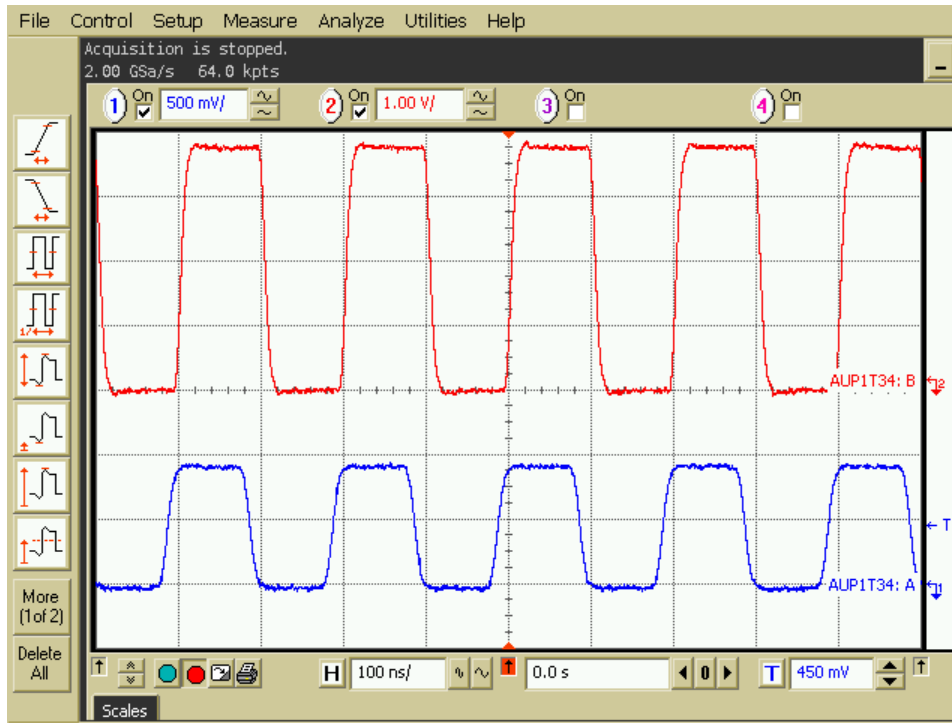


图 5. 10-MHz Up Translation (0.9 V to 3.6 V)

## 10 Power Supply Recommendations

Connect ground before applying either  $V_{CCA}$  or  $V_{CCB}$ . There is no specific power sequence requirement for the SN74AUP1T34.  $V_{CCA}$  or  $V_{CCB}$  may be powered up first, and  $V_{CCA}$  or  $V_{CCB}$  may be powered down first.

## 11 Layout

### 11.1 Layout Guidelines

To ensure reliability of the device, TI recommends following common printed-circuit board layout guidelines is recommended.

- Bypass capacitors must be used on power supplies.
- Short trace lengths must be used to avoid excessive loading.
- Placing pads on the signal paths for loading capacitors or pullup resistors helps adjust rise and fall times of signals depending on the system requirements.

### 11.2 Layout Example

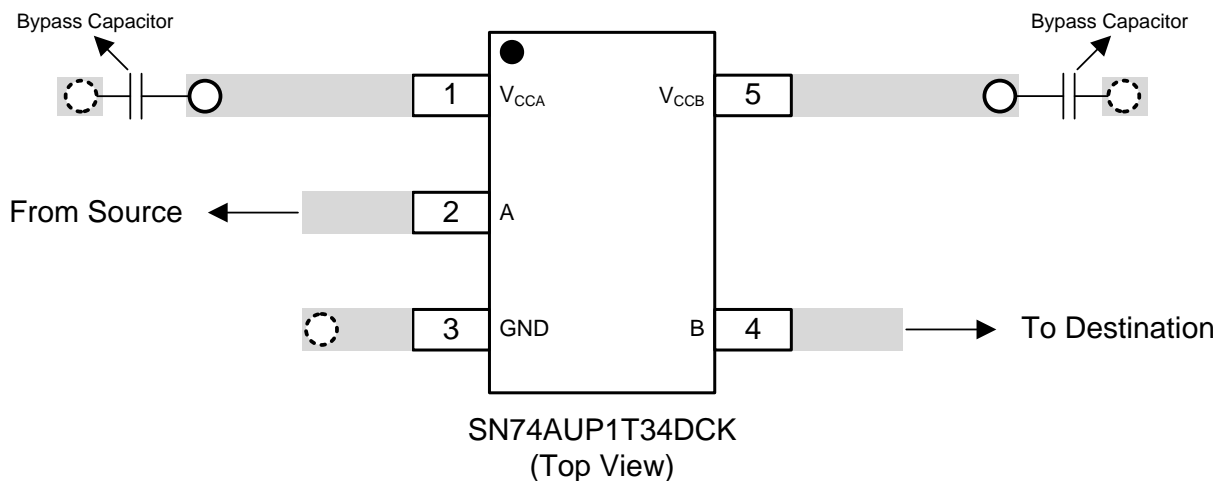
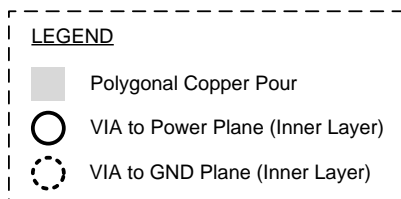


图 6. Example Layout

## 12 器件和文档支持

### 12.1 社区资源

下列链接提供到 TI 社区资源的连接。链接的内容由各个分销商“按照原样”提供。这些内容并不构成 TI 技术规范，并且不一定反映 TI 的观点；请参阅 TI 的《使用条款》。

**TI E2E™ 在线社区** *TI 的工程师对工程师 (E2E) 社区*。此社区的创建目的在于促进工程师之间的协作。在 [e2e.ti.com](http://e2e.ti.com) 中，您可以咨询问题、分享知识、拓展思路并与同行工程师一道帮助解决问题。

**设计支持** *TI 参考设计支持* 可帮助您快速查找有帮助的 E2E 论坛、设计支持工具以及技术支持的联系信息。

### 12.2 商标

E2E is a trademark of Texas Instruments.  
All other trademarks are the property of their respective owners.

### 12.3 静电放电警告



这些装置包含有限的内置 ESD 保护。存储或装卸时，应将导线一起截短或将装置放置于导电泡棉中，以防止 MOS 门极遭受静电损伤。

### 12.4 Glossary

**SLYZ022** — *TI Glossary*.




This glossary lists and explains terms, acronyms, and definitions.

## 13 机械、封装和可订购信息

以下页面包含机械、封装和可订购信息。这些信息是指定器件的最新可用数据。数据如有变更，恕不另行通知，且不会对此文档进行修订。如需获取此数据表的浏览器版本，请参阅左侧的导航栏。



**PACKAGING INFORMATION**

Orderable Device	Status (1)	Package Type	Package Drawing	Pins	Package Qty	Eco Plan (2)	Lead finish/ Ball material (6)	MSL Peak Temp (3)	Op Temp (°C)	Device Marking (4/5)	Samples
SN74AUP1T34DCKR	ACTIVE	SC70	DCK	5	3000	RoHS & Green	NIPDAU	Level-1-260C-UNLIM	-40 to 85	U2E	
SN74AUP1T34DRYR	ACTIVE	SON	DRY	6	5000	RoHS & Green	NIPDAU	Level-1-260C-UNLIM	-40 to 85	U2	
SN74AUP1T34DSFR	ACTIVE	SON	DSF	6	5000	RoHS & Green	NIPDAU	Level-1-260C-UNLIM	-40 to 85	U2	

(1) The marketing status values are defined as follows:

**ACTIVE:** Product device recommended for new designs.

**LIFEBUY:** TI has announced that the device will be discontinued, and a lifetime-buy period is in effect.

**NRND:** Not recommended for new designs. Device is in production to support existing customers, but TI does not recommend using this part in a new design.

**PREVIEW:** Device has been announced but is not in production. Samples may or may not be available.

**OBSELETE:** TI has discontinued the production of the device.

(2) **RoHS:** TI defines "RoHS" to mean semiconductor products that are compliant with the current EU RoHS requirements for all 10 RoHS substances, including the requirement that RoHS substance do not exceed 0.1% by weight in homogeneous materials. Where designed to be soldered at high temperatures, "RoHS" products are suitable for use in specified lead-free processes. TI may reference these types of products as "Pb-Free".

**RoHS Exempt:** TI defines "RoHS Exempt" to mean products that contain lead but are compliant with EU RoHS pursuant to a specific EU RoHS exemption.

**Green:** TI defines "Green" to mean the content of Chlorine (Cl) and Bromine (Br) based flame retardants meet JS709B low halogen requirements of <=1000ppm threshold. Antimony trioxide based flame retardants must also meet the <=1000ppm threshold requirement.

(3) MSL, Peak Temp. - The Moisture Sensitivity Level rating according to the JEDEC industry standard classifications, and peak solder temperature.

(4) There may be additional marking, which relates to the logo, the lot trace code information, or the environmental category on the device.

(5) Multiple Device Markings will be inside parentheses. Only one Device Marking contained in parentheses and separated by a "~" will appear on a device. If a line is indented then it is a continuation of the previous line and the two combined represent the entire Device Marking for that device.

(6) Lead finish/Ball material - Orderable Devices may have multiple material finish options. Finish options are separated by a vertical ruled line. Lead finish/Ball material values may wrap to two lines if the finish value exceeds the maximum column width.

**Important Information and Disclaimer:**The information provided on this page represents TI's knowledge and belief as of the date that it is provided. TI bases its knowledge and belief on information provided by third parties, and makes no representation or warranty as to the accuracy of such information. Efforts are underway to better integrate information from third parties. TI has taken and continues to take reasonable steps to provide representative and accurate information but may not have conducted destructive testing or chemical analysis on incoming materials and chemicals. TI and TI suppliers consider certain information to be proprietary, and thus CAS numbers and other limited information may not be available for release.

In no event shall TI's liability arising out of such information exceed the total purchase price of the TI part(s) at issue in this document sold by TI to Customer on an annual basis.

**OTHER QUALIFIED VERSIONS OF SN74AUP1T34 :**

- Automotive : [SN74AUP1T34-Q1](#)

NOTE: Qualified Version Definitions:

- Automotive - Q100 devices qualified for high-reliability automotive applications targeting zero defects

**TAPE AND REEL INFORMATION**

**QUADRANT ASSIGNMENTS FOR PIN 1 ORIENTATION IN TAPE**


\*All dimensions are nominal

Device	Package Type	Package Drawing	Pins	SPQ	Reel Diameter (mm)	Reel Width W1 (mm)	A0 (mm)	B0 (mm)	K0 (mm)	P1 (mm)	W (mm)	Pin1 Quadrant
SN74AUP1T34DCKR	SC70	DCK	5	3000	178.0	9.0	2.4	2.5	1.2	4.0	8.0	Q3
SN74AUP1T34DRYR	SON	DRY	6	5000	180.0	9.5	1.15	1.6	0.75	4.0	8.0	Q1
SN74AUP1T34DSFR	SON	DSF	6	5000	180.0	9.5	1.16	1.16	0.5	4.0	8.0	Q2

**TAPE AND REEL BOX DIMENSIONS**

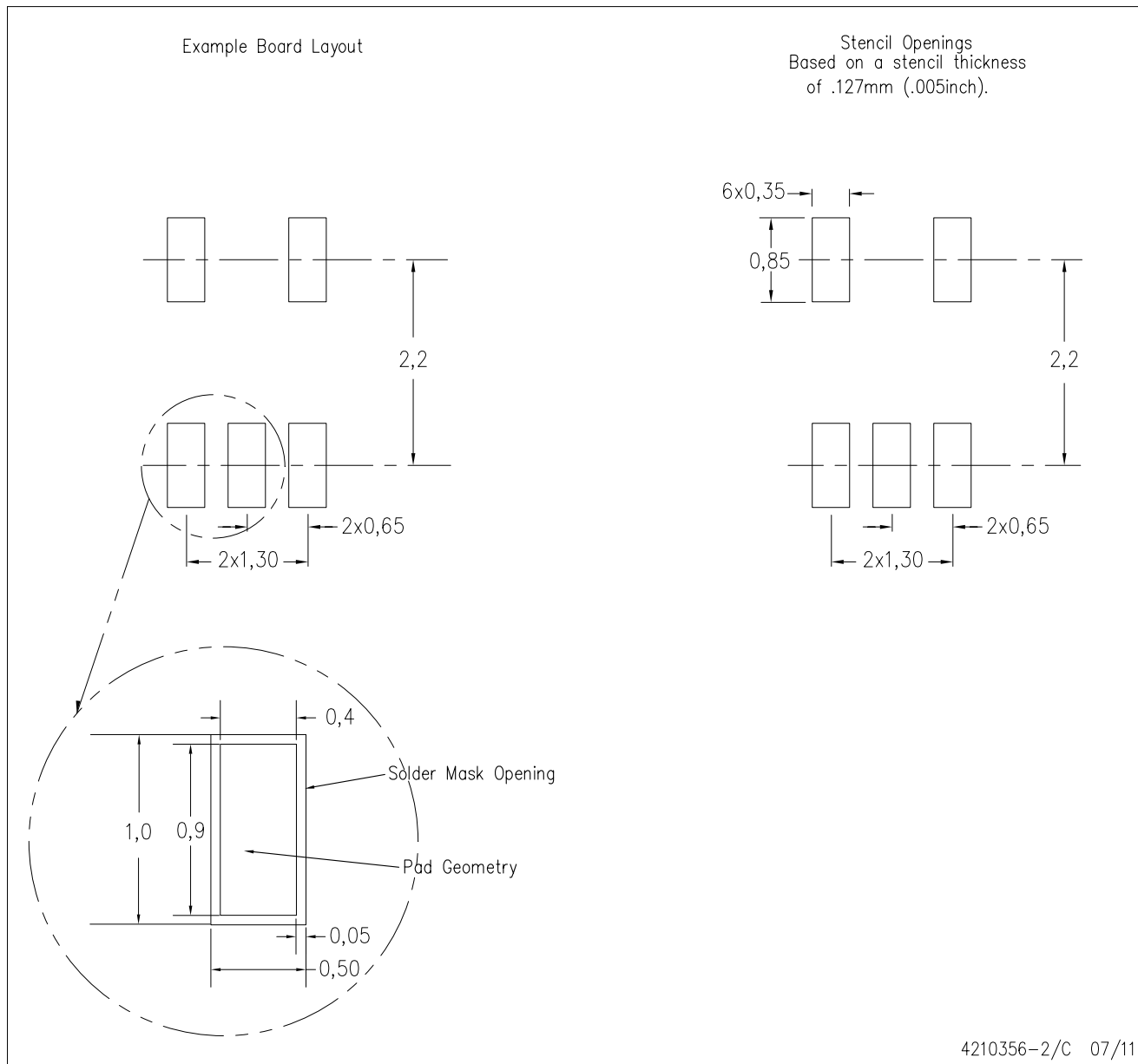

\*All dimensions are nominal

Device	Package Type	Package Drawing	Pins	SPQ	Length (mm)	Width (mm)	Height (mm)
SN74AUP1T34DCKR	SC70	DCK	5	3000	180.0	180.0	18.0
SN74AUP1T34DRYR	SON	DRY	6	5000	184.0	184.0	19.0
SN74AUP1T34DSFR	SON	DSF	6	5000	184.0	184.0	19.0



DCK (R-PDSO-G5)

PLASTIC SMALL OUTLINE



- NOTES:
- All linear dimensions are in millimeters.
  - This drawing is subject to change without notice.
  - Customers should place a note on the circuit board fabrication drawing not to alter the center solder mask defined pad.
  - Publication IPC-7351 is recommended for alternate designs.
  - Laser cutting apertures with trapezoidal walls and also rounding corners will offer better paste release. Customers should contact their board assembly site for stencil design recommendations. Example stencil design based on a 50% volumetric metal load solder paste. Refer to IPC-7525 for other stencil recommendations.

## GENERIC PACKAGE VIEW

**DRY 6**

**USON - 0.6 mm max height**

PLASTIC SMALL OUTLINE - NO LEAD



Images above are just a representation of the package family, actual package may vary.  
Refer to the product data sheet for package details.

4207181/G





# EXAMPLE BOARD LAYOUT

DRY0006A

USON - 0.6 mm max height

PLASTIC SMALL OUTLINE - NO LEAD



**LAND PATTERN EXAMPLE**  
1:1 RATIO WITH PKG SOLDER PADS  
EXPOSED METAL SHOWN  
SCALE:40X



**SOLDER MASK DETAILS**

4222894/A 01/2018

NOTES: (continued)

3. For more information, see QFN/SON PCB application report in literature No. SLUA271 ([www.ti.com/lit/sluea271](http://www.ti.com/lit/sluea271)).

# EXAMPLE STENCIL DESIGN

DRY0006A

USON - 0.6 mm max height

PLASTIC SMALL OUTLINE - NO LEAD



SOLDER PASTE EXAMPLE  
BASED ON 0.075 - 0.1 mm THICK STENCIL  
SCALE:40X

4222894/A 01/2018

NOTES: (continued)

4. Laser cutting apertures with trapezoidal walls and rounded corners may offer better paste release. IPC-7525 may have alternate design recommendations.



# DSF0006A

# PACKAGE OUTLINE

X2SON - 0.4 mm max height

PLASTIC SMALL OUTLINE - NO LEAD



4220597/B 06/2022

**NOTES:**

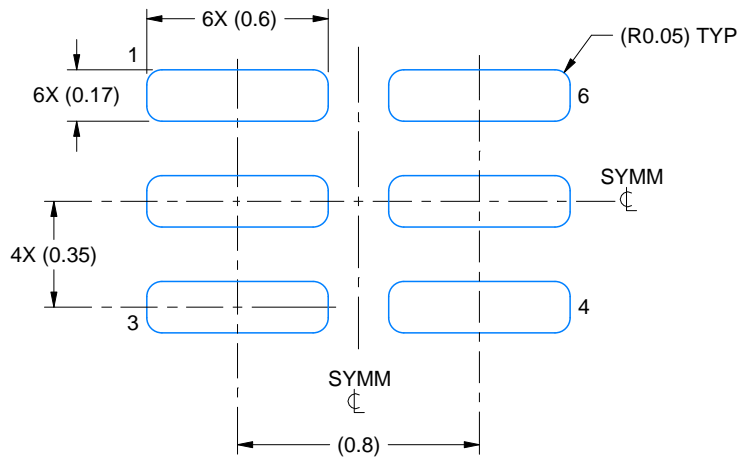
1. All linear dimensions are in millimeters. Any dimensions in parenthesis are for reference only. Dimensioning and tolerancing per ASME Y14.5M.
2. This drawing is subject to change without notice.
3. Reference JEDEC registration MO-287, variation X2AAF.

# EXAMPLE BOARD LAYOUT

DSF0006A

X2SON - 0.4 mm max height

PLASTIC SMALL OUTLINE - NO LEAD



LAND PATTERN EXAMPLE  
EXPOSED METAL SHOWN  
SCALE:40X



SOLDER MASK DETAILS

4220597/B 06/2022

NOTES: (continued)

4. For more information, see Texas Instruments literature number SLUA271 ([www.ti.com/lit/slua271](http://www.ti.com/lit/slua271)).

# EXAMPLE STENCIL DESIGN

DSF0006A

X2SON - 0.4 mm max height

PLASTIC SMALL OUTLINE - NO LEAD



SOLDER PASTE EXAMPLE  
BASED ON 0.09 mm THICK STENCIL

PRINTED SOLDER COVERAGE BY AREA UNDER PACKAGE  
SCALE:40X

4220597/B 06/2022

4. Laser cutting apertures with trapezoidal walls and rounded corners may offer better paste release. IPC-7525 may have alternate design recommendations.

## 重要声明和免责声明

TI“按原样”提供技术和可靠性数据（包括数据表）、设计资源（包括参考设计）、应用或其他设计建议、网络工具、安全信息和其他资源，不保证没有瑕疵且不做任何明示或暗示的担保，包括但不限于对适销性、某特定用途方面的适用性或不侵犯任何第三方知识产权的暗示担保。

这些资源可供使用 TI 产品进行设计的熟练开发人员使用。您将自行承担以下全部责任：(1) 针对您的应用选择合适的 TI 产品，(2) 设计、验证并测试您的应用，(3) 确保您的应用满足相应标准以及任何其他功能安全、信息安全、监管或其他要求。

这些资源如有变更，恕不另行通知。TI 授权您仅可将这些资源用于研发本资源所述的 TI 产品的应用。严禁对这些资源进行其他复制或展示。您无权使用任何其他 TI 知识产权或任何第三方知识产权。您应全额赔偿因在这些资源的使用中对 TI 及其代表造成的任何索赔、损害、成本、损失和债务，TI 对此概不负责。

TI 提供的产品受 [TI 的销售条款](#) 或 [ti.com](#) 上其他适用条款/TI 产品随附的其他适用条款的约束。TI 提供这些资源并不会扩展或以其他方式更改 TI 针对 TI 产品发布的适用的担保或担保免责声明。

TI 反对并拒绝您可能提出的任何其他或不同的条款。

邮寄地址：Texas Instruments, Post Office Box 655303, Dallas, Texas 75265

Copyright © 2022，德州仪器 (TI) 公司