
HIGH-BANDWIDTH DUAL SPDT DIFFERENTIAL SIGNAL SWITCH WITH INPUT LOGIC TRANSLATION

1 FEATURES

- High-Bandwidth Data Paths – Up to 800 MHz
- Specified Break-Before-Make Switching
- Control Inputs Reference to V_{IO}
- Low Charge Injection
- Excellent ON-State Resistance Matching
- Low Total Harmonic Distortion (THD)
- 2.3-V to 3.6-V Power Supply (V_+)
- 1.65-V to 1.95-V Logic Supply (V_{IO})
- Latch-Up Performance Exceeds 100 mA Per JESD 78, Class II
- ESD Performance Tested Per JESD 22
 - 4000-V Human-Body Model

(A114-B, Class II)

- 1000-V Charged-Device Model (C101)
- 200-V Machine Model (A115-A)

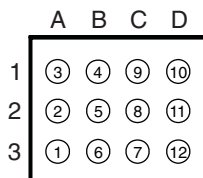
2 APPLICATIONS

- Cell Phones
- PDAs
- Portable Instrumentation
- Low-Voltage Differential Signal Routing
- Mobile Industry Processor Interface (MIPI) Signal Routing



Table 1. TERMINAL ASSIGNMENTS

	A	B	C	D
1	IN1	NO1	COM1	NC1
2	V _{IO}	GND	GND	V ₊
3	IN2	NO2	COM2	NC2

**YZT PACKAGE
(BOTTOM VIEW)**

3 DESCRIPTION/ORDERING INFORMATION

The TS3DS26227 is a dual single-pole double-throw (SPDT) analog switch that is designed to operate from 2.3 V to 3.6 V. The device offers high-bandwidth data paths, and a break-before-make feature to prevent signal distortion during the transferring of a signal from one path to another. The device has excellent total harmonic distortion (THD) performance and consumes very low power. These features make this device suitable for portable applications.

The TS3DS26227 has a separate logic supply pin (V_{IO}) that operates from 1.65 V to 1.95 V. V_{IO} powers the control circuitry, which allows the TS3DS26227 to be controlled by 1.8-V signals.

Table 2. ORDERING INFORMATION

T _A	PACKAGE ^{(1) (2)}		ORDERABLE PART NUMBER	TOP-SIDE MARKING ⁽³⁾
–40°C to 85°C	NanoFree™ – WCSP (DSBGA) 0.23-mm Large Bump – YZT (Pb-free)	Tape and reel	TS3DS26227YZTR	

- (1) Package drawings, thermal data, and symbolization are available at www.ti.com/packaging.
- (2) For the most current package and ordering information, see the Package Option Addendum at the end of this document, or see the TI website at www.ti.com.
- (3) YZT: The actual top-side marking has three preceding characters to denote year, month, and sequence code, and one following character to designate the assembly/test site. Pin 1 identifier indicates solder-bump composition (1 = SnPb, • = Pb-free).

Table 3. SUMMARY OF CHARACTERISTICS⁽¹⁾

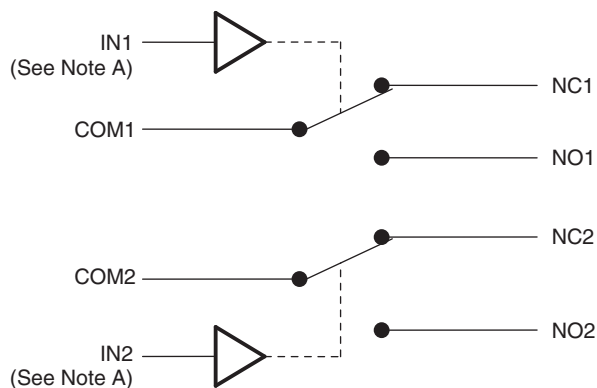
Configuration	Dual 2:1 Multiplexer/Demultiplexer (2 × SPDT)
Number of channels	2
ON-state resistance (r_{on})	5 Ω max
ON-state resistance match (Δr_{on})	0.1 Ω max
ON-state resistance flatness [$r_{on(Flat)}$]	3 Ω max
Turn-on/turn-off time (t_{ON}/t_{OFF})	9 ns/4 ns
Break-before-make time (t_{BBM})	8 ns
Charge injection (Q_C)	5.5 pC
Bandwidth (BW)	800 MHz
OFF isolation (O_{ISO})	-40 dB
Crosstalk (X_{TALK})	-39 dB
Leakage current [$I_{NO(OFF)}/I_{NC(OFF)}$]	± 5 nA
Power-supply current (I_+)	± 20 nA
Package options	12-bump WCSP

(1) $V_+ = 2.7$ V, $T_A = 25^\circ\text{C}$

Table 4. FUNCTION TABLE

IN	NC TO COM, COM TO NC	NO TO COM, COM TO NO
L	ON	OFF
H	OFF	ON

LOGIC DIAGRAM



A. IN1 and IN2 are control inputs referenced to V_{IO} .

3.1 ABSOLUTE MAXIMUM RATINGS^{(1) (2)}

over operating free-air temperature range (unless otherwise noted)

		MIN	MAX	UNIT
V_+ V_{IO}	Supply voltage range ⁽³⁾	-0.5	4.6	V
V_{NC} V_{NO} V_{COM}	Analog voltage range ^{(3) (4) (5)}	-0.5	$V_+ + 0.5$	V
I_K	Analog port diode current	$V_{NC}, V_{NO}, V_{COM} < 0$, or $V_{NC}, V_{NO}, V_{COM} > V_+ + 0.5$		mA
I_{NC}	On-state switch current	$V_{NC}, V_{NO}, V_{COM} = 0$ to V_+		mA
I_{NO} I_{COM}	On-state peak switch current	-100	100	
V_I	Digital input voltage range	-0.5	$V_{IO} + 0.5$	V
I_{IK}	Digital input clamp current ^{(3) (4)}	$V_I < 0$, or $V_I > V_{IO} + 0.5$		mA
I_+	Continuous current through V_+	-100	100	mA
I_{GND}	Continuous current through GND	-100	100	mA
θ_{JA}	Package thermal impedance ⁽⁶⁾	YZT package		TBD °C/W
T_{stg}	Storage temperature range	-65	150	°C

- (1) Stresses above these ratings may cause permanent damage. Exposure to absolute maximum conditions for extended periods may degrade device reliability. These are stress ratings only, and functional operation of the device at these or any other conditions beyond those specified is not implied.
- (2) The algebraic convention, whereby the most negative value is a minimum and the most positive value is a maximum
- (3) All voltages are with respect to ground, unless otherwise specified.
- (4) The input and output voltage ratings may be exceeded if the input and output clamp-current ratings are observed.
- (5) This value is limited to 5.5 V maximum.
- (6) The package thermal impedance is calculated in accordance with JESD 51-7.

3.2 ELECTRICAL CHARACTERISTICS FOR 3.3-V SUPPLY⁽¹⁾

 $V_+ = 2.7\text{ V to }3.6\text{ V}$, $V_{IO} = 1.65\text{ V to }1.95\text{ V}$, $T_A = -40^\circ\text{C to }85^\circ\text{C}$ (unless otherwise noted)

PARAMETER	SYMBOL	TEST CONDITIONS	T_A	V_+	MIN	TYP	MAX	UNIT
Analog Switch								
Analog signal range	V_{COM}, V_{NO}, V_{NC}				0		V_+	V
ON-state resistance	r_{on}	$0 \leq (V_{NO} \text{ or } V_{NC}) \leq 1.6$, $I_{COM} = -10\text{ mA}$, Switch ON, See Figure 13	25°C Full	2.7 V		3.5	5 6	Ω
ON-state resistance match between channels	Δr_{on}	$V_{NO} \text{ or } V_{NC} = 1.6\text{ V}$, $I_{COM} = -10\text{ mA}$, Switch ON, See Figure 13	25°C Full	2.7 V		0.05	0.1 0.2	Ω
ON-state resistance flatness	$r_{on(Flat)}$	$0 \leq (V_{NO} \text{ or } V_{NC}) \leq 1.6\text{ V}$, $I_{COM} = -10\text{ mA}$, Switch ON, See Figure 13	25°C Full	2.7 V		2	3 4	Ω
NC, NO OFF leakage current	$I_{NO(OFF)}, I_{NC(OFF)}$	$V_{NO} \text{ or } V_{NC} = 0.3\text{ V}$, $V_{COM} = 3\text{ V}$, or $V_{NO} \text{ or } V_{NC} = 3\text{ V}$, $V_{COM} = 0.3\text{ V}$, Switch OFF, See Figure 14	25°C Full	3.6 V	-5 -15	0.1	5 15	nA
NC, NO ON leakage current	$I_{NO(ON)}, I_{NC(ON)}$	$V_{NO} \text{ or } V_{NC} = 0.3\text{ V}$, $V_{COM} = \text{Open}$, or $V_{NO} \text{ or } V_{NC} = 3\text{ V}$, $V_{COM} = \text{Open}$, Switch ON, See Figure 15	25°C Full	3.6 V	-10 -30	0.2	10 30	nA
COM ON leakage current	$I_{COM(ON)}$	$V_{NO} \text{ or } V_{NC} = \text{Open}$, $V_{COM} = 0.3\text{ V}$, or $V_{NO} \text{ or } V_{NC} = \text{Open}$, $V_{COM} = 3\text{ V}$, Switch ON, See Figure 15	25°C Full	3.6 V	-10 -30	0.2	10 30	nA
Digital Control Inputs (IN1, IN2)⁽²⁾								
Input logic high	V_{IH}	$V_{IO} = 1.65\text{ V to }1.95\text{ V}$	Full		$0.65 \times V_{IO}$		V_{IO}	V
Input logic low	V_{IL}	$V_{IO} = 1.65\text{ V to }1.95\text{ V}$	Full		0		$0.35 \times V_{IO}$	V
Input leakage current	I_{IH}, I_{IL}	$V_{IN} = V_{IO} \text{ or } 0$	25°C Full	3.6 V	-2 -10	0.1	2 10	nA

(1) The algebraic convention, whereby the most negative value is a minimum and the most positive value is a maximum

(2) All unused digital inputs of the device must be held at V_{IO} or GND to ensure proper device operation. Refer to the TI application report, *Implications of Slow or Floating CMOS Inputs*, literature number SCBA004.

ELECTRICAL CHARACTERISTICS FOR 3.3-V SUPPLY⁽¹⁾ (continued)
 $V_+ = 2.7\text{ V to }3.6\text{ V}$, $V_{IO} = 1.65\text{ V to }1.95\text{ V}$, $T_A = -40^\circ\text{C to }85^\circ\text{C}$ (unless otherwise noted)

PARAMETER	SYMBOL	TEST CONDITIONS	T_A	V_+	MIN	TYP	MAX	UNIT	
Dynamic									
Turn-on time	t_{ON}	$V_{COM} = V_+$, $R_L = 50\ \Omega$,	$C_L = 35\text{ pF}$, See Figure 17	25°C	3.3 V	1	6.5	9	ns
				Full	2.7 to 3.6 V	1		11.5	
Turn-off time	t_{OFF}	$V_{COM} = V_+$, $R_L = 50\ \Omega$,	$C_L = 35\text{ pF}$ See Figure 17	25°C	3.3 V	1	2	4	ns
				Full	2.7 to 3.6 V	1		5	
Break-before-make time	t_{BBM}	$V_{NC} = V_{NO} = 0.6\text{ V}$, $R_L = 50\ \Omega$,	$C_L = 35\text{ pF}$ See Figure 18	25°C	3.3 V	0.5	4	8	ns
				Full	2.7 to 3.6 V	0.5		9	
Charge injection	Q_C	$V_{GEN} = 0$, $R_{GEN} = 0$,	$C_L = 1\text{ nF}$ See Figure 22	25°C	3.3 V		5.5	pC	
NC, NO OFF capacitance	$C_{NC(OFF)}$, $C_{NO(OFF)}$	V_{NC} or $V_{NO} = 1.3\text{ V}$ or GND, Switch OFF,	See Figure 16	25°C	3.3 V		3.5	pF	
NC, NO ON capacitance	$C_{NC(ON)}$, $C_{NO(ON)}$	V_{NC} or $V_{NO} = 1.3\text{ V}$ or GND, Switch ON,	See Figure 16	25°C	3.3 V		10.5	pF	
COM ON capacitance	$C_{COM(ON)}$	$V_{COM} = 1.3\text{ V}$ or GND, Switch ON,	See Figure 16	25°C	3.3 V		10.5	pF	
Digital input capacitance	C_I	$V_I = V_+$ or GND	See Figure 16	25°C	3.3 V		2	pF	
Bandwidth	BW	$R_L = 50\ \Omega$,	Switch ON See Figure 19	25°C	2.7 V		800	MHz	
OFF isolation	O_{ISO}	$R_L = 50\ \Omega$, $f = 200\text{ MHz}$,	Switch OFF See Figure 20	25°C	2.7 V		-40	dB	
Crosstalk	X_{TALK}	$R_L = 50\ \Omega$, $f = 200\text{ MHz}$,	Switch ON See Figure 21	25°C	2.7 V		-39	dB	
Supply									
Positive supply current	I_+	$V_I = V_+$ or GND,	Switch ON or OFF	25°C	3.6 V	-20	1	20	nA
				Full			-500		
Logic supply current	I_{IO}	$V_I = V_{IO}$ or GND,	Switch ON or OFF	25°C	3.6 V	-10	1	10	nA
				Full			-200		

3.3 ELECTRICAL CHARACTERISTICS FOR 2.5-V SUPPLY⁽¹⁾

 $V_+ = 2.3 \text{ V to } 2.7 \text{ V}$, $V_{IO} = 1.65 \text{ V to } 1.95 \text{ V}$, $T_A = -40^\circ\text{C to } 85^\circ\text{C}$ (unless otherwise noted)

PARAMETER	SYMBOL	TEST CONDITIONS	T_A	V_+	MIN	TYP	MAX	UNIT
Analog Switch								
Analog signal range	V_{COM} , V_{NO} , V_{NC}				0		V_+	V
ON-state resistance	r_{on}	$0 \leq (V_{NO} \text{ or } V_{NC}) \leq 1.3$, $I_{COM} = -10 \text{ mA}$, Switch ON, See Figure 13	25°C Full	2.3 V		4	5.5 7	Ω
ON-state resistance match between channels	Δr_{on}	$V_{NO} \text{ or } V_{NC} = 1.3 \text{ V}$, $I_{COM} = -10 \text{ mA}$, Switch ON, See Figure 13	25°C Full	2.3 V		0.05	0.1 0.2	Ω
ON-state resistance flatness	$r_{on(flat)}$	$0 \leq (V_{NO} \text{ or } V_{NC}) \leq 1.3 \text{ V}$, $I_{COM} = -10 \text{ mA}$, Switch ON, See Figure 13	25°C Full	2.3 V		2.5	4 4.5	Ω
NC, NO OFF leakage current	$I_{NO(OFF)}$, $I_{NC(OFF)}$	$V_{NO} \text{ or } V_{NC} = 0.2 \text{ V}$, $V_{COM} = 2.3 \text{ V}$, or $V_{NO} \text{ or } V_{NC} = 2.3 \text{ V}$, $V_{COM} = 0.2 \text{ V}$, Switch OFF, See Figure 14	25°C Full	2.7 V	-5 -15	0.1	5 15	nA
NC, NO ON leakage current	$I_{NO(ON)}$, $I_{NC(ON)}$	$V_{NO} \text{ or } V_{NC} = 0.2 \text{ V}$, $V_{COM} = \text{Open}$, or $V_{NO} \text{ or } V_{NC} = 2.3 \text{ V}$, $V_{COM} = \text{Open}$, Switch ON, See Figure 15	25°C Full	2.7 V	-5 -20	0.2	5 20	nA
COM ON leakage current	$I_{COM(ON)}$	$V_{NO} \text{ or } V_{NC} = \text{Open}$, $V_{COM} = 0.2 \text{ V}$, or $V_{NO} \text{ or } V_{NC} = \text{Open}$, $V_{COM} = 2.3 \text{ V}$, Switch ON, See Figure 15	25°C Full	2.7 V	-1 -10	0.05	1 10	nA
Digital Control Inputs (IN1, IN2)⁽²⁾								
Input logic high	V_{IH}	$V_{IO} = 1.65 \text{ V to } 1.95 \text{ V}$	Full		$0.65 \times V_{IO}$		V_{IO}	V
Input logic low	V_{IL}	$V_{IO} = 1.65 \text{ V to } 1.95 \text{ V}$	Full		0		$0.35 \times V_{IO}$	V
Input leakage current	I_{IH} , I_{IL}	$V_{IN} = V_{IO} \text{ or } 0$	25°C Full	2.7 V	-1 -10	0.05	1 10	nA

(1) The algebraic convention, whereby the most negative value is a minimum and the most positive value is a maximum

(2) All unused digital inputs of the device must be held at V_{IO} or GND to ensure proper device operation. Refer to the TI application report, *Implications of Slow or Floating CMOS Inputs*, literature number SCBA004.

ELECTRICAL CHARACTERISTICS FOR 2.5-V SUPPLY⁽¹⁾ (continued)
 $V_+ = 2.3 \text{ V to } 2.7 \text{ V}$, $V_{IO} = 1.65 \text{ V to } 1.95 \text{ V}$, $T_A = -40^\circ\text{C to } 85^\circ\text{C}$ (unless otherwise noted)

PARAMETER	SYMBOL	TEST CONDITIONS	T_A	V_+	MIN	TYP	MAX	UNIT	
Dynamic									
Turn-on time	t_{ON}	$V_{COM} = V_+$, $R_L = 50 \Omega$,	$C_L = 35 \text{ pF}$ See Figure 17	25°C	2.5 V	1	7	11	ns
				Full	2.3 to 2.7 V	1		13	
Turn-off time	t_{OFF}	$V_{COM} = V_+$, $R_L = 50 \Omega$,	$C_L = 35 \text{ pF}$ See Figure 17	25°C	2.5 V	1	2.5	4.5	ns
				Full	2.3 to 2.7 V	1		5.5	
Break-before-make time	t_{BBM}	$V_{NC} = V_{NO} = 0.6 \text{ V}$, $R_L = 50 \Omega$,	$C_L = 35 \text{ pF}$ See Figure 18	25°C	2.3 V	1	4	8	ns
				Full	2.3 to 2.7 V	1		10	
Charge injection	Q_C	$V_{GEN} = 0$, $R_{GEN} = 0$,	$C_L = 1 \text{ nF}$ See Figure 22	25°C	2.5 V		4	pC	
NC, NO OFF capacitance	$C_{NC(OFF)}$, $C_{NO(OFF)}$	V_{NC} or $V_{NO} = 1.6 \text{ V}$ or GND, Switch OFF,	See Figure 16	25°C	2.5 V		3.5	pF	
NC, NO ON capacitance	$C_{NC(ON)}$, $C_{NO(ON)}$	V_{NC} or $V_{NO} = 1.6 \text{ V}$ or GND, Switch ON,	See Figure 16	25°C	2.5 V		10.5	pF	
COM ON capacitance	$C_{COM(ON)}$	$V_{COM} = 1.6 \text{ V}$ or GND, Switch ON,	See Figure 16	25°C	2.5 V		10.5	pF	
Digital input capacitance	C_I	$V_I = V_+$ or GND	See Figure 16	25°C	2.5 V		2	pF	
Bandwidth	BW	$R_L = 50 \Omega$,	Switch ON See Figure 19	25°C	2.3 V		800	MHz	
OFF isolation	O_{ISO}	$R_L = 50 \Omega$, $f = 200 \text{ MHz}$,	Switch OFF See Figure 20	25°C	2.3 V		-40	dB	
Crosstalk	X_{TALK}	$R_L = 50 \Omega$, $f = 200 \text{ MHz}$,	Switch ON See Figure 21	25°C	2.3 V		-39	dB	
Supply									
Positive supply current	I_+	$V_I = V_+$ or GND,	Switch ON or OFF	25°C	2.7 V	-10	1	10	nA
				Full		-350		350	
Logic supply current	I_{IO}	$V_I = V_{IO}$ or GND,	Switch ON or OFF	25°C	2.7 V	-5	1	5	nA
				Full		-200		200	

4 TYPICAL CHARACTERISTICS

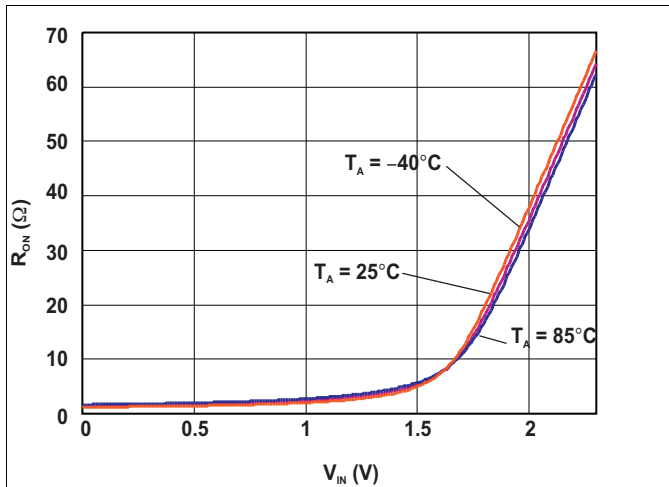


Figure 1. r_{on} vs V_I (NC, NO, or COM), $V_+ = 2.3$ V

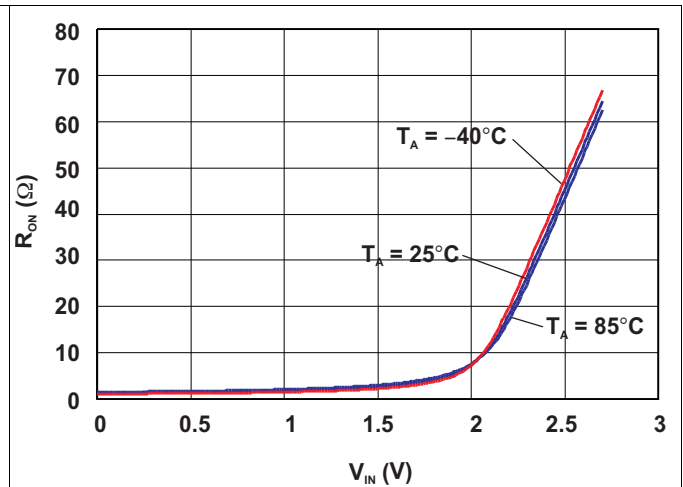


Figure 2. r_{on} vs V_I (NC, NO, or COM), $V_+ = 2.7$ V

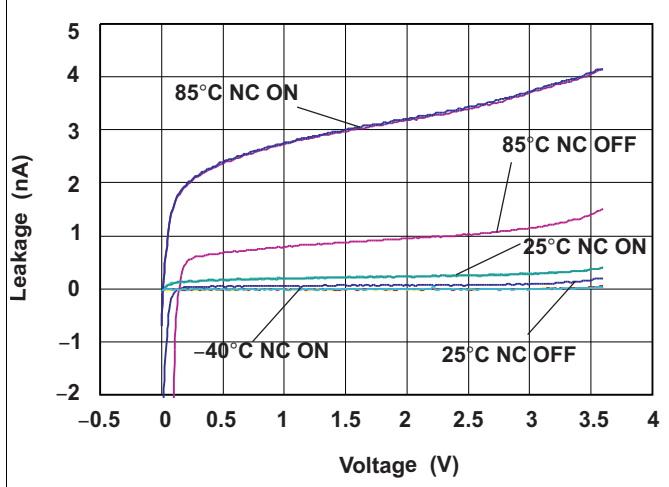


Figure 3. Analog Switch Leakage Current vs V_I (NC, NO, or COM), $V_+ = 3.6$ V

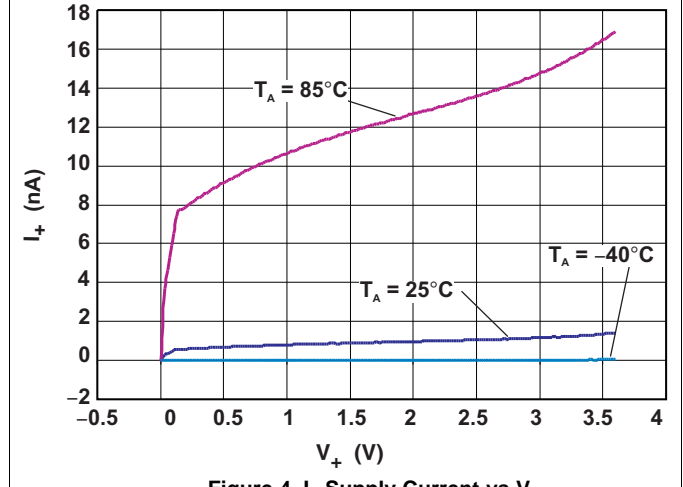


Figure 4. I_+ Supply Current vs V_+

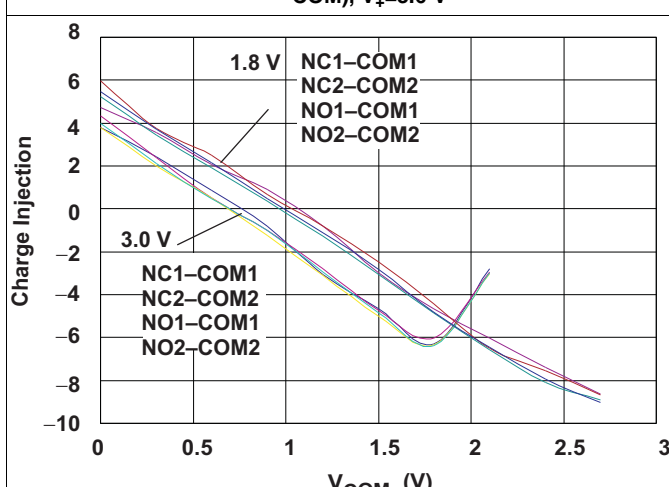


Figure 5. Charge Injection vs V_{COM}

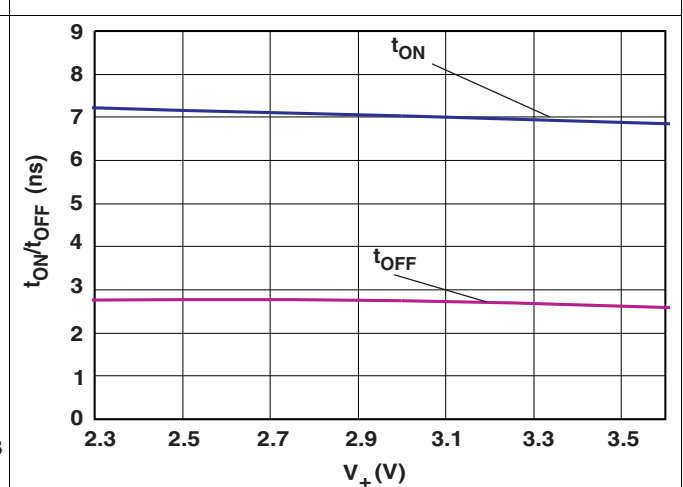


Figure 6. t_{on}/t_{off} vs V_+

TYPICAL CHARACTERISTICS (continued)

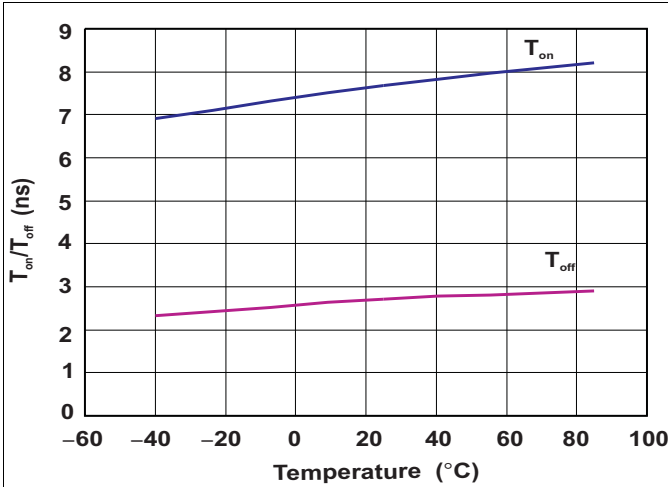


Figure 7. t_{on}/t_{off} vs Temperature, $V_+ = 2.3$ V

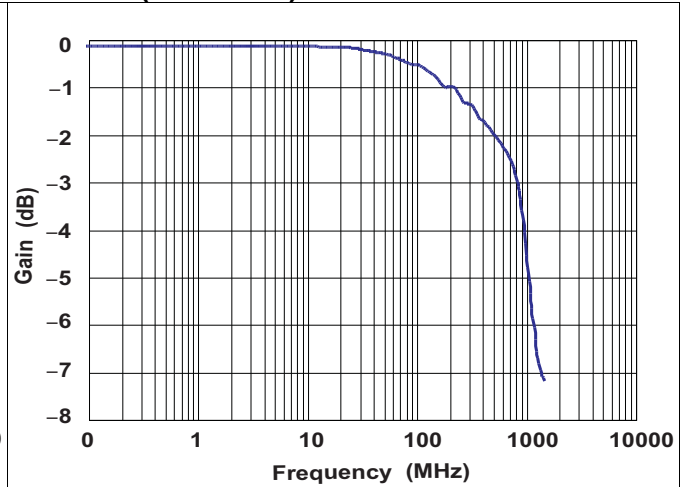


Figure 8. Bandwidth, $V_+ = 2.5$ V

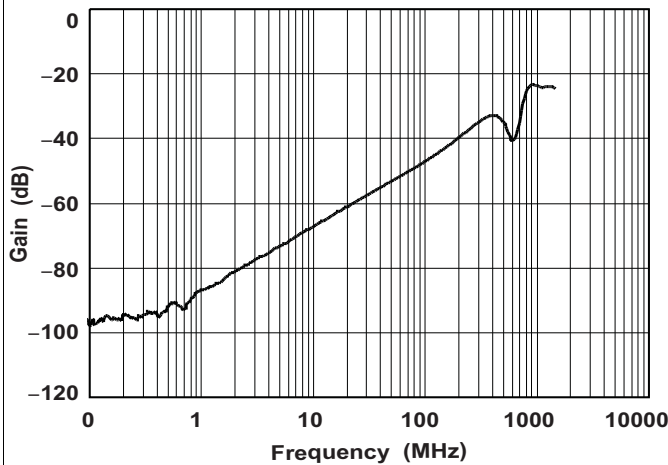


Figure 9. OFF Isolation vs Frequency, $V_+ = 2.5$ V

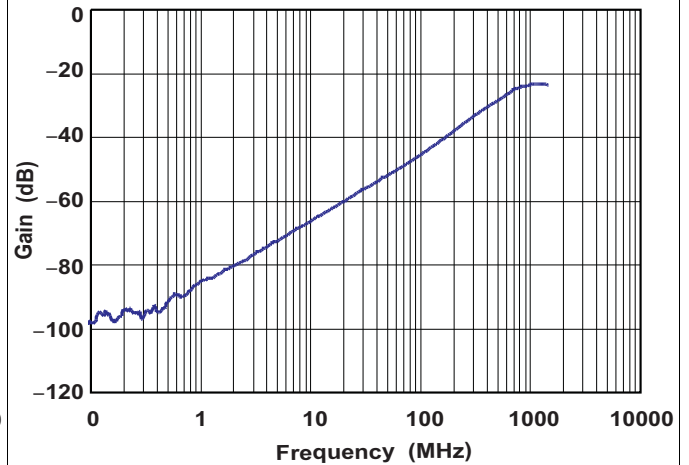


Figure 10. Crosstalk vs Frequency, $V_+ = 2.5$ V

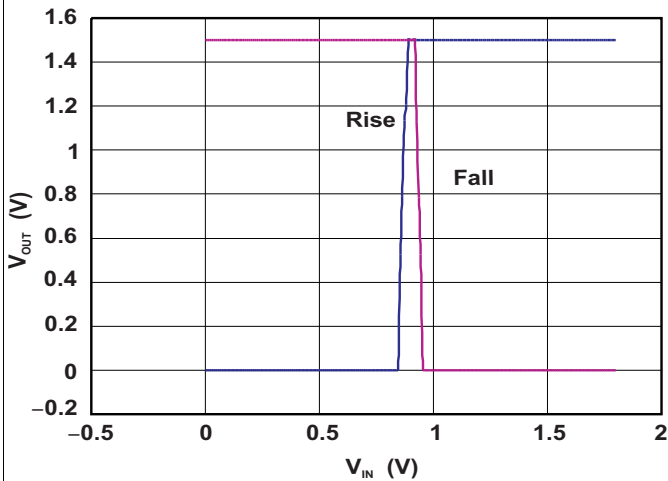


Figure 11. Threshold Voltage, $V_{IO} = 1.8$ V, $V_+ = 2.7$ V

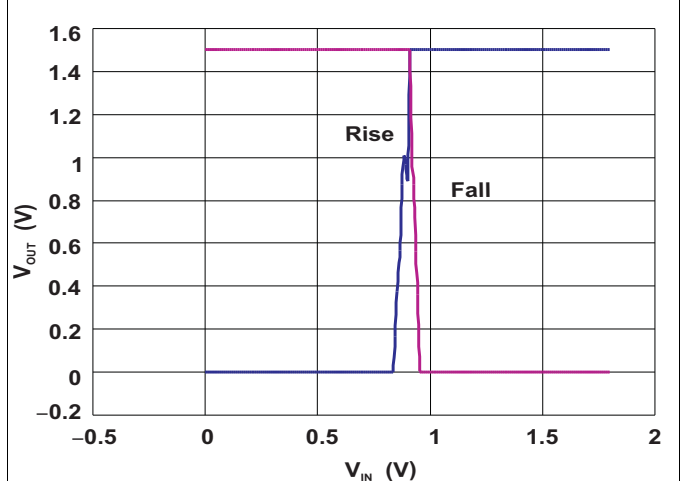


Figure 12. Threshold Voltage, $V_{IO} = 1.8$ V, $V_+ = 3.6$ V

5 PARAMETER MEASUREMENT INFORMATION

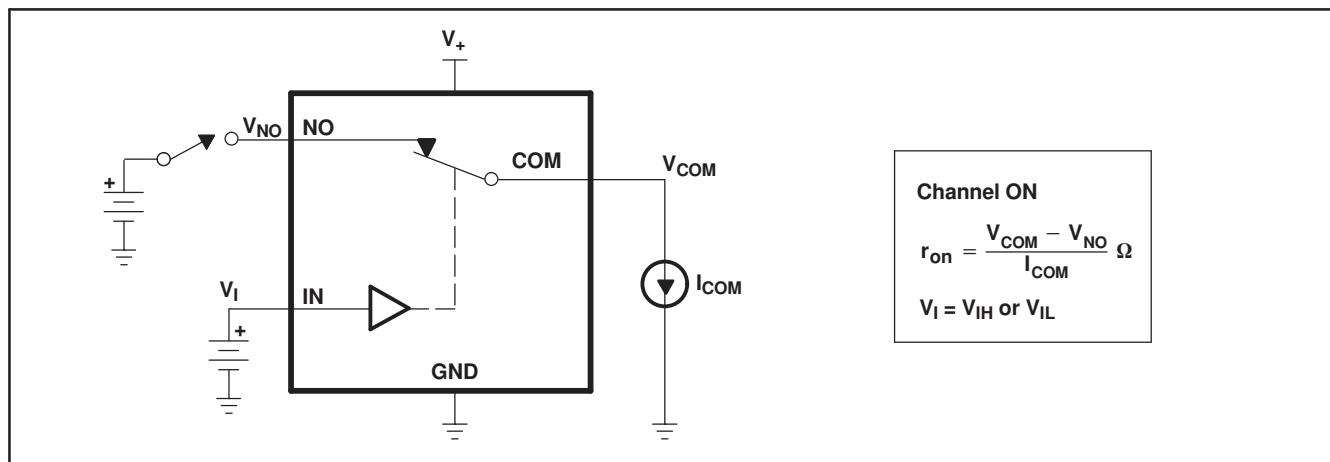


Figure 13. ON-State Resistance (r_{on})

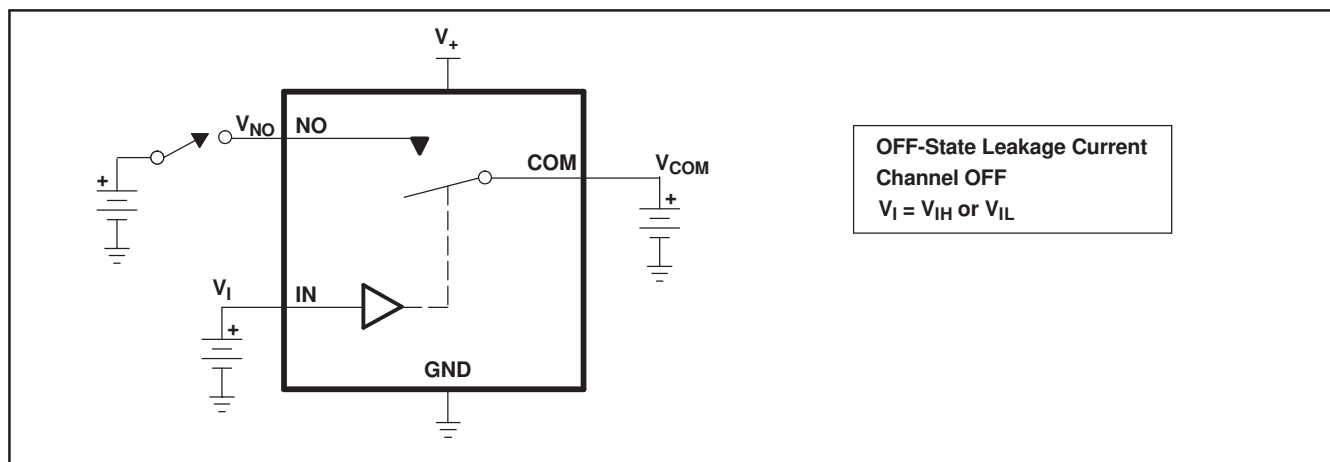


Figure 14. OFF-State Leakage Current ($I_{COM(OFF)}$, $I_{NC(OFF)}$, $I_{COM(PWROFF)}$, $I_{NC(PWROFF)}$)

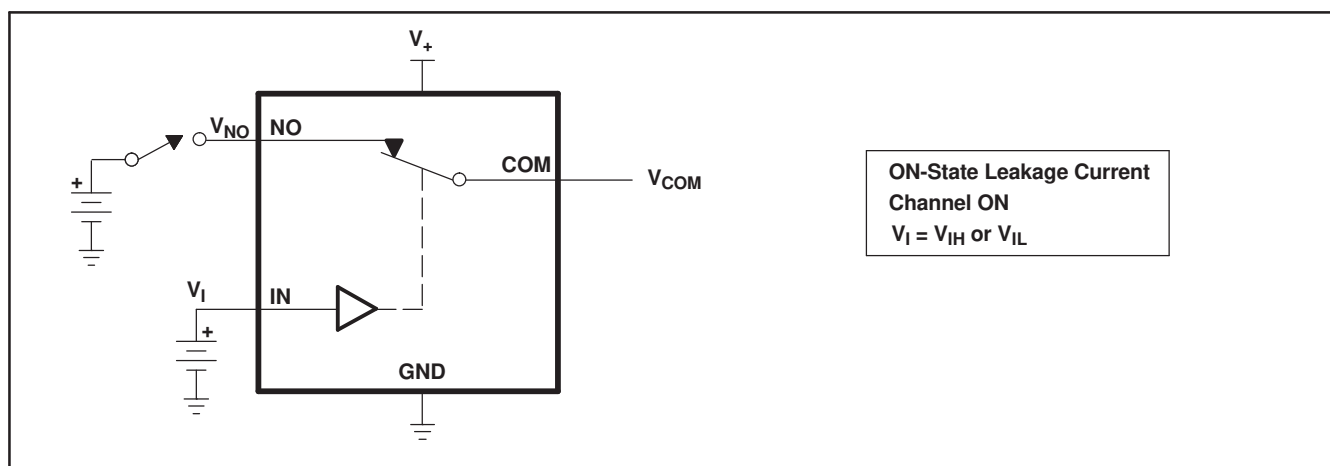


Figure 15. ON-State Leakage Current ($I_{COM(ON)}$, $I_{NC(ON)}$)

PARAMETER MEASUREMENT INFORMATION (continued)

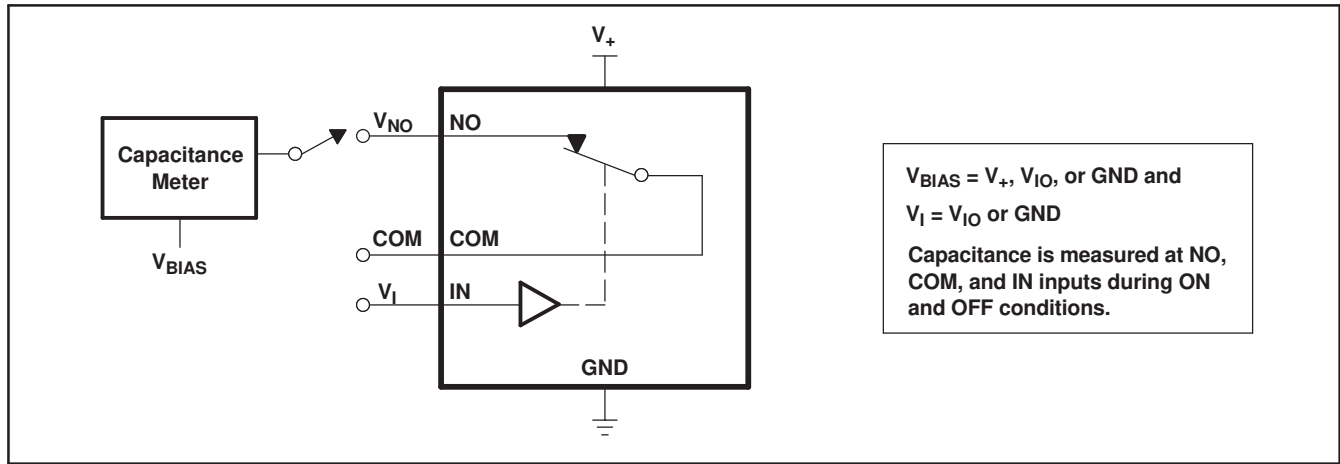
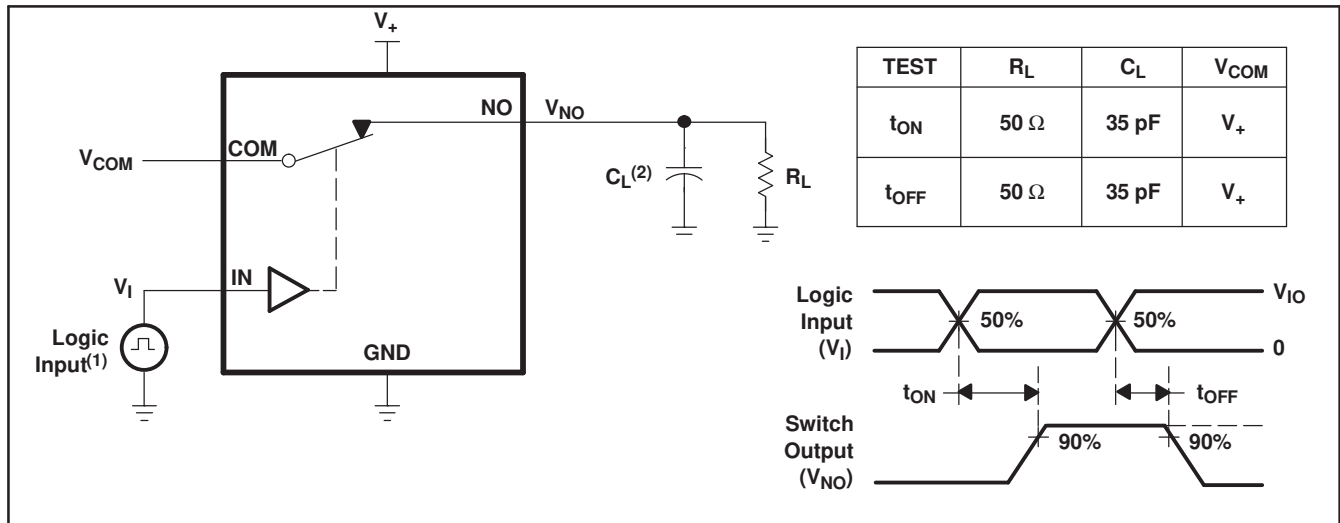


Figure 16. Capacitance (C_I , $C_{COM(OFF)}$, $C_{COM(ON)}$, $C_{NC(OFF)}$, $C_{NC(ON)}$)

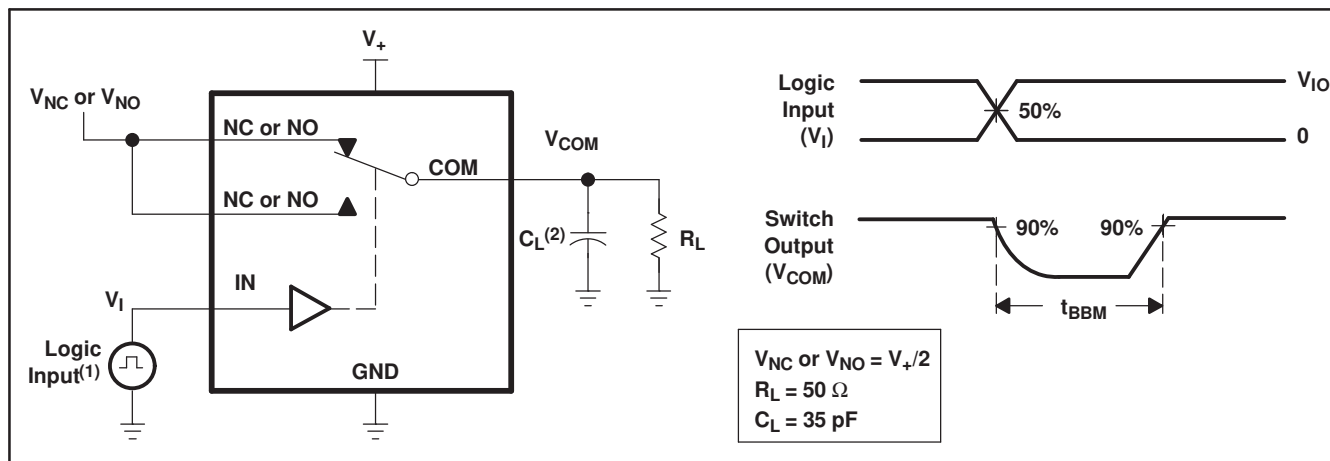


(1) All input pulses are supplied by generators having the following characteristics: PRR ≤ 10 MHz, Z_O = 50 Ω, t_r < 5 ns, t_f < 5 ns.

(2) C_L includes probe and jig capacitance.

Figure 17. Turn-On (t_{ON}) and Turn-Off Time (t_{OFF})

PARAMETER MEASUREMENT INFORMATION (continued)



- (1) All input pulses are supplied by generators having the following characteristics: PRR \leq 10 MHz, $Z_O = 50 \Omega$, $t_r < 5 \text{ ns}$, $t_f < 5 \text{ ns}$.
 (2) C_L includes probe and jig capacitance.

Figure 18. Break-Before-Make Time (t_{BBM})

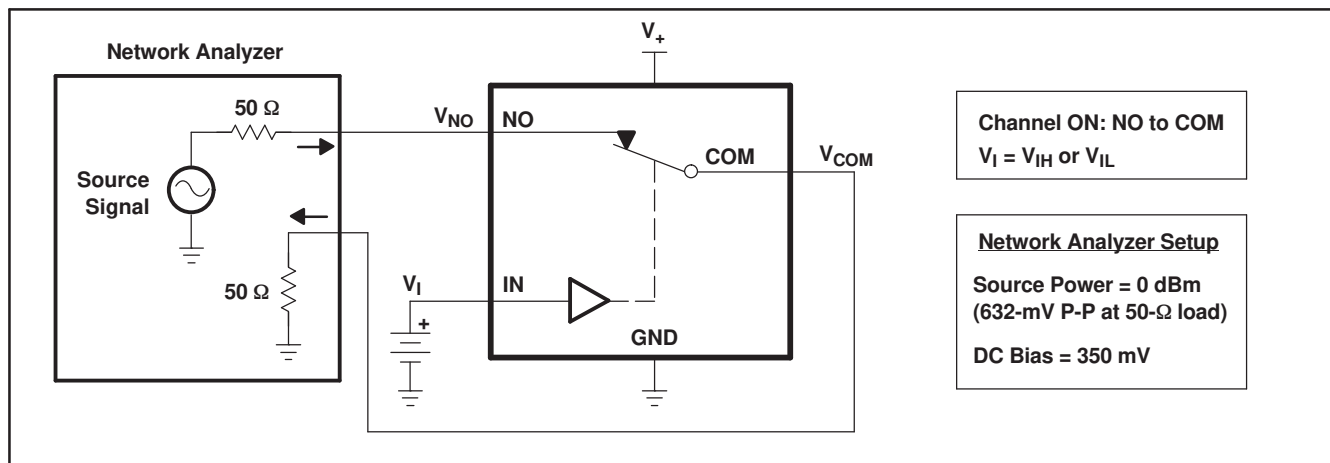


Figure 19. Bandwidth (BW)

PARAMETER MEASUREMENT INFORMATION (continued)

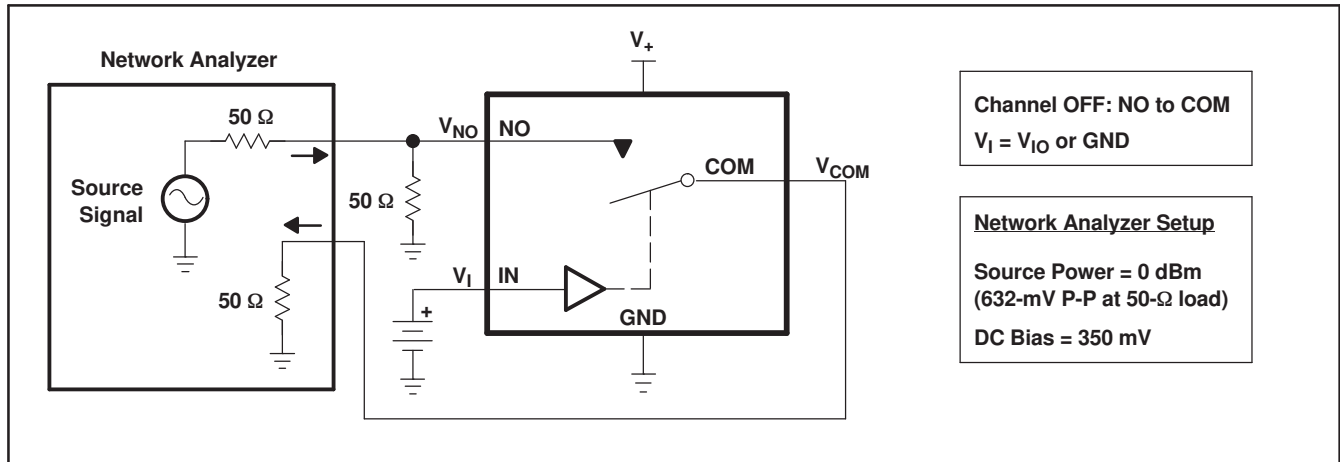


Figure 20. OFF Isolation (O_{ISO})

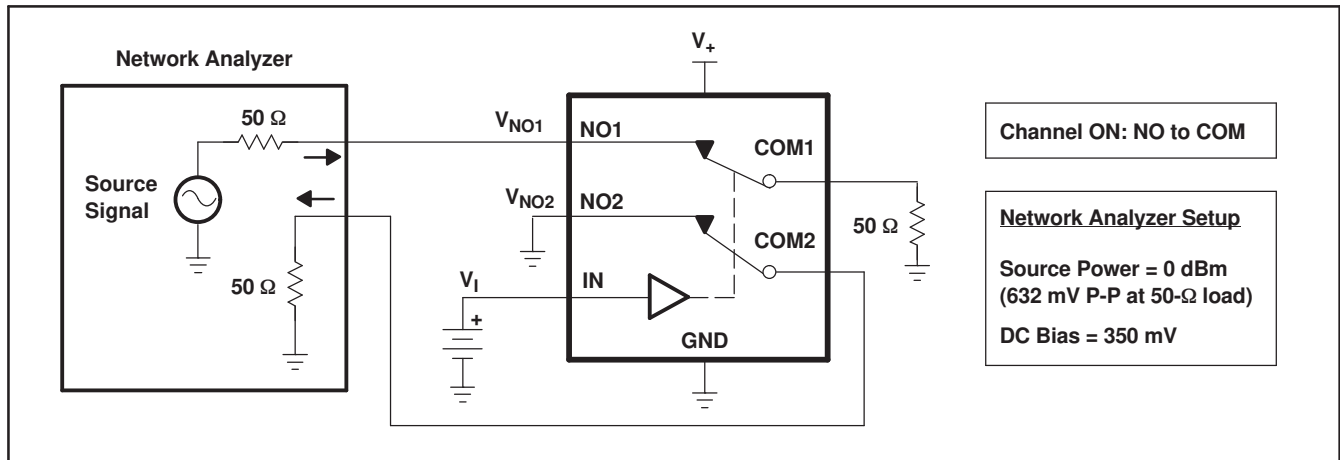
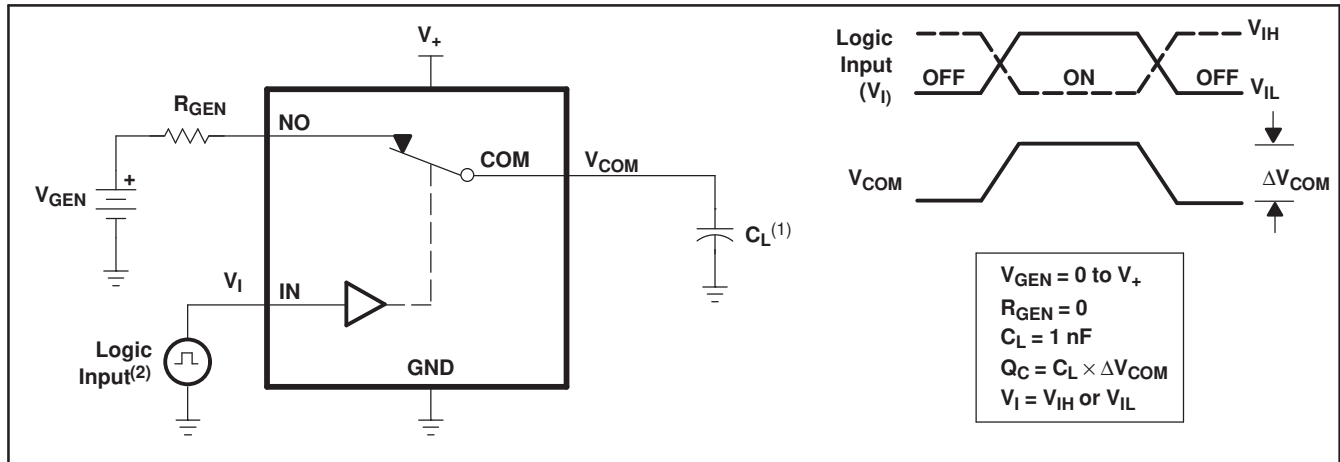


Figure 21. Crosstalk (X_{TALK})

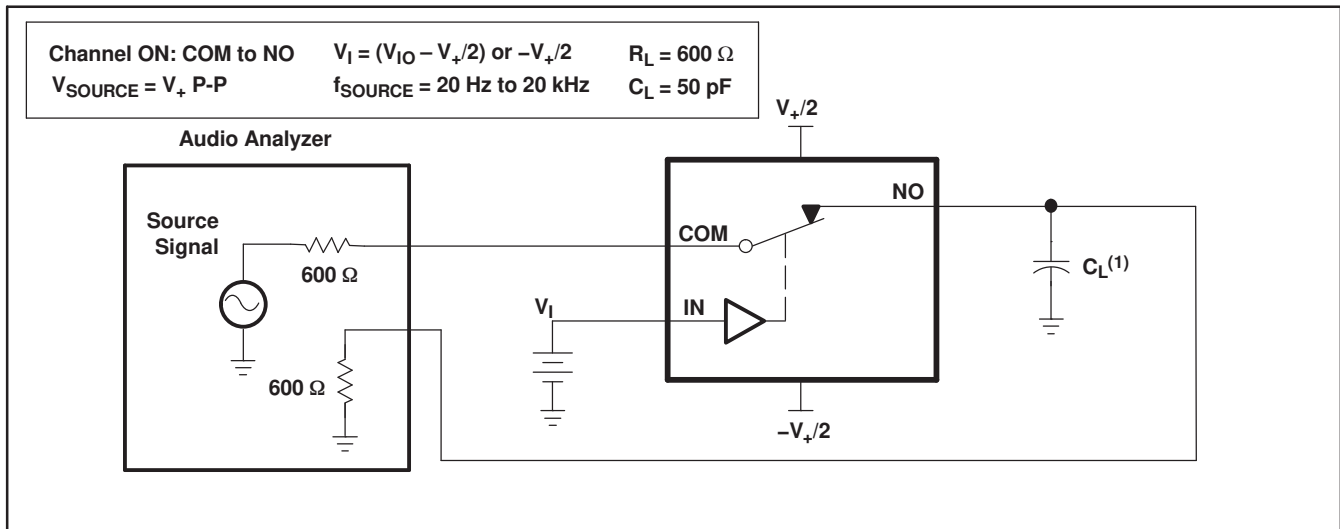
PARAMETER MEASUREMENT INFORMATION (continued)



(1) C_L includes probe and jig capacitance.

(2) All input pulses are supplied by generators having the following characteristics: $PRR \leq 10$ MHz, $Z_O = 50 \Omega$, $t_r < 5$ ns, $t_f < 5$ ns.

Figure 22. Charge Injection (Q_C)



(1) C_L includes probe and jig capacitance.

Figure 23. Total Harmonic Distortion (THD)

PACKAGING INFORMATION

Orderable Device	Status (1)	Package Type	Package Drawing	Pins	Package Qty	Eco Plan (2)	Lead finish/ Ball material (6)	MSL Peak Temp (3)	Op Temp (°C)	Device Marking (4/5)	Samples
TS3DS26227YZTR	ACTIVE	DSBGA	YZT	12	3000	RoHS & Green	SNAGCU	Level-1-260C-UNLIM	-40 to 85	(262, 26N)	Samples

(1) The marketing status values are defined as follows:

ACTIVE: Product device recommended for new designs.

LIFEBUY: TI has announced that the device will be discontinued, and a lifetime-buy period is in effect.

NRND: Not recommended for new designs. Device is in production to support existing customers, but TI does not recommend using this part in a new design.

PREVIEW: Device has been announced but is not in production. Samples may or may not be available.

OBSELETE: TI has discontinued the production of the device.

(2) **RoHS:** TI defines "RoHS" to mean semiconductor products that are compliant with the current EU RoHS requirements for all 10 RoHS substances, including the requirement that RoHS substance do not exceed 0.1% by weight in homogeneous materials. Where designed to be soldered at high temperatures, "RoHS" products are suitable for use in specified lead-free processes. TI may reference these types of products as "Pb-Free".

RoHS Exempt: TI defines "RoHS Exempt" to mean products that contain lead but are compliant with EU RoHS pursuant to a specific EU RoHS exemption.

Green: TI defines "Green" to mean the content of Chlorine (Cl) and Bromine (Br) based flame retardants meet JS709B low halogen requirements of <=1000ppm threshold. Antimony trioxide based flame retardants must also meet the <=1000ppm threshold requirement.

(3) MSL, Peak Temp. - The Moisture Sensitivity Level rating according to the JEDEC industry standard classifications, and peak solder temperature.

(4) There may be additional marking, which relates to the logo, the lot trace code information, or the environmental category on the device.

(5) Multiple Device Markings will be inside parentheses. Only one Device Marking contained in parentheses and separated by a "-" will appear on a device. If a line is indented then it is a continuation of the previous line and the two combined represent the entire Device Marking for that device.

(6) Lead finish/Ball material - Orderable Devices may have multiple material finish options. Finish options are separated by a vertical ruled line. Lead finish/Ball material values may wrap to two lines if the finish value exceeds the maximum column width.

Important Information and Disclaimer:The information provided on this page represents TI's knowledge and belief as of the date that it is provided. TI bases its knowledge and belief on information provided by third parties, and makes no representation or warranty as to the accuracy of such information. Efforts are underway to better integrate information from third parties. TI has taken and continues to take reasonable steps to provide representative and accurate information but may not have conducted destructive testing or chemical analysis on incoming materials and chemicals. TI and TI suppliers consider certain information to be proprietary, and thus CAS numbers and other limited information may not be available for release.

In no event shall TI's liability arising out of such information exceed the total purchase price of the TI part(s) at issue in this document sold by TI to Customer on an annual basis.

TAPE AND REEL INFORMATION



QUADRANT ASSIGNMENTS FOR PIN 1 ORIENTATION IN TAPE



*All dimensions are nominal

Device	Package Type	Package Drawing	Pins	SPQ	Reel Diameter (mm)	Reel Width W1 (mm)	A0 (mm)	B0 (mm)	K0 (mm)	P1 (mm)	W (mm)	Pin1 Quadrant
TS3DS26227YZTR	DSBGA	YZT	12	3000	178.0	9.2	1.49	1.99	0.75	4.0	8.0	Q2

TAPE AND REEL BOX DIMENSIONS



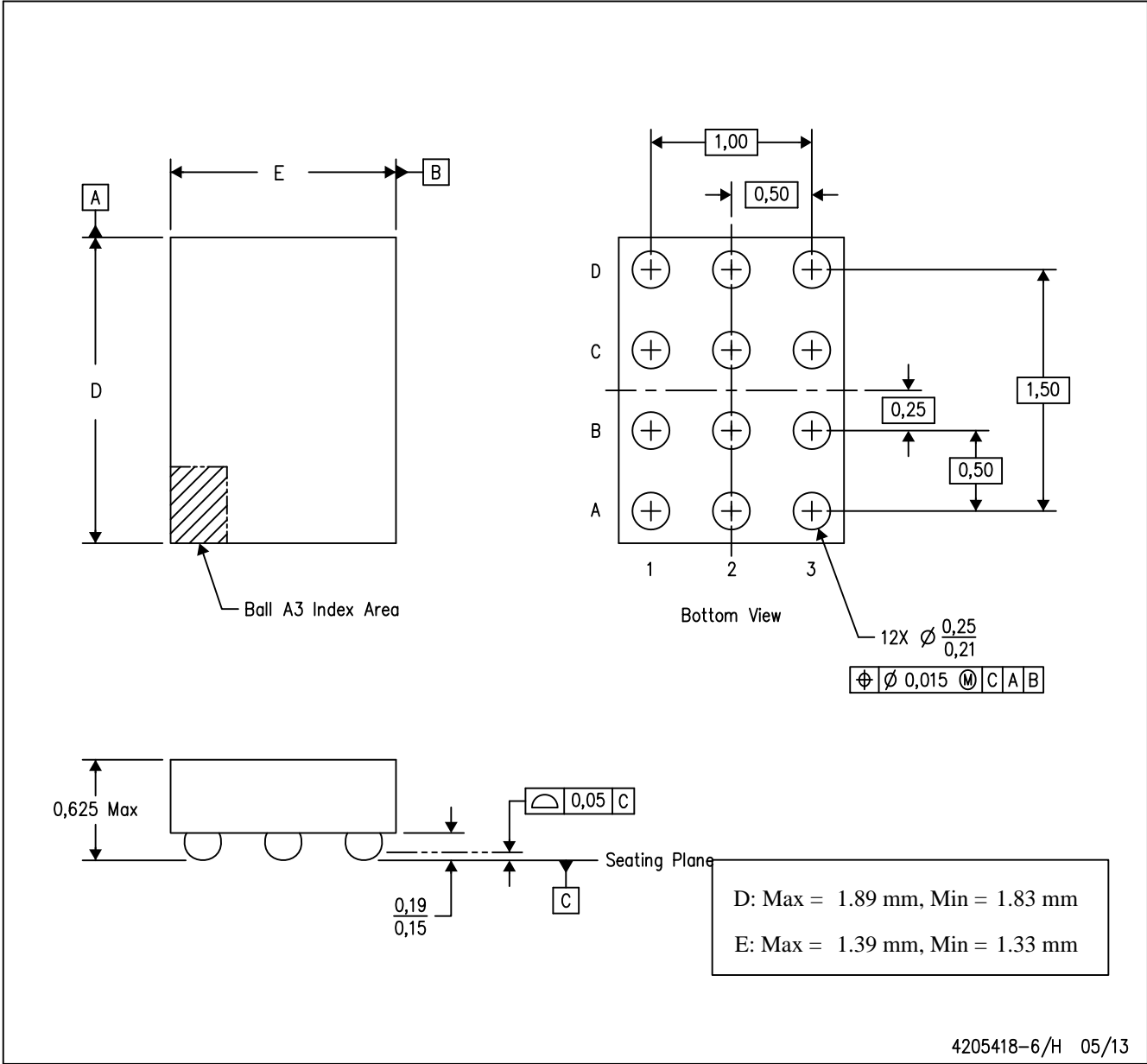
*All dimensions are nominal

Device	Package Type	Package Drawing	Pins	SPQ	Length (mm)	Width (mm)	Height (mm)
TS3DS26227YZTR	DSBGA	YZT	12	3000	220.0	220.0	35.0

MECHANICAL DATA

YZT (R-XBGA-N12)

(CUSTOM) DIE-SIZE BALL GRID ARRAY



- NOTES:
- A. All linear dimensions are in millimeters. Dimensioning and tolerancing per ASME Y14.5M-1994.
 - B. This drawing is subject to change without notice.
 - C. NanoFree™ package configuration.

NanoFree is a trademark of Texas Instruments.

IMPORTANT NOTICE AND DISCLAIMER

TI PROVIDES TECHNICAL AND RELIABILITY DATA (INCLUDING DATASHEETS), DESIGN RESOURCES (INCLUDING REFERENCE DESIGNS), APPLICATION OR OTHER DESIGN ADVICE, WEB TOOLS, SAFETY INFORMATION, AND OTHER RESOURCES "AS IS" AND WITH ALL FAULTS, AND DISCLAIMS ALL WARRANTIES, EXPRESS AND IMPLIED, INCLUDING WITHOUT LIMITATION ANY IMPLIED WARRANTIES OF MERCHANTABILITY, FITNESS FOR A PARTICULAR PURPOSE OR NON-INFRINGEMENT OF THIRD PARTY INTELLECTUAL PROPERTY RIGHTS.

These resources are intended for skilled developers designing with TI products. You are solely responsible for (1) selecting the appropriate TI products for your application, (2) designing, validating and testing your application, and (3) ensuring your application meets applicable standards, and any other safety, security, or other requirements. These resources are subject to change without notice. TI grants you permission to use these resources only for development of an application that uses the TI products described in the resource. Other reproduction and display of these resources is prohibited. No license is granted to any other TI intellectual property right or to any third party intellectual property right. TI disclaims responsibility for, and you will fully indemnify TI and its representatives against, any claims, damages, costs, losses, and liabilities arising out of your use of these resources.

TI's products are provided subject to TI's Terms of Sale (<https://www.ti.com/legal/termsofsale.html>) or other applicable terms available either on [ti.com](https://www.ti.com) or provided in conjunction with such TI products. TI's provision of these resources does not expand or otherwise alter TI's applicable warranties or warranty disclaimers for TI products.

Mailing Address: Texas Instruments, Post Office Box 655303, Dallas, Texas 75265
Copyright © 2021, Texas Instruments Incorporated