

具有阻抗检测功能的 SP2T 开关 支持 USB、UART 微型 USB 开关

查询样品: **TSU6111**

特性

- 双 **SP2T**
 - **USB** 和 **UART** 路径支持 **USB 2.0** 高速接口
- 智能检测
 - 插入/拔出检测
 - **USB** 充电器检测
 - 阻抗检测
 - 检测功能与 **CEA-936A** 兼容 (**4线协议, UART接口**)
- 充电器检测
 - 与 **USB BCDv1.1** 兼容
 - **VBUS** 检测
 - 数据接触检测
 - 一级和二级检测
- 兼容附件
 - **USB** 电缆
 - **UART** 线缆
 - **USB** 充电器 **BCDv1.1**
- 附加特性
 - 与主机处理器的 **I²C** 接口
 - 支持在制造中 (**JIG, BOOT**) 使用的控制信号
 - 配件连接、断开中断
- 最大电压
 - **28v VBUS** 等级
- 控制输入符合 **1.8 V** 逻辑要求
 - **2000-V** 人体模式 (**A114-B, Class II**)
 - **1000 V** 充电器模型 (**C101**)
- **ESD** 性能 **DP/DM/ID/VBUS** 接 **GND**
 - **±8kV** 接触放电 (**IEC 61000-4-2**)
- 在 **VBUS/DP/DM** 上的电涌保护
 - 无外部组件的 **USB** 连接器引脚

应用

- 手机与智能电话
- 平板电脑
- 数码相机与摄像机
- 全球卫星定位 (**GPS**) 导航系统
- 支持 **USB/UART** 的微型 **USB** 接口

说明

TSU6111 支持阻抗检测的差分高性能自动 SP2T 开关。这个开关特有阻抗检测, 这一功能能够检测通过 DP 和 DM 附件的多种配件。充电器检测满足 USB 充电器规范 v1.1。V_{BUS_IN} 支持 28V 允差电压以避免外部保护。

这个设备通过附加的 V_{BAT} 或者 V_{BUS_IN} 进行供电。

此开关有自动检测逻辑控制或者通过 I²C 接口手动控制。当 USB, UART JIG 线缆在开发和制造期间被用来进行测试时, JIG 和 BOOT 针脚启用。TSU6111 支持开漏 JIG 输出 (低电平有效)。

QFN-RSV PIN-OUT

		ID_CON	DP_CON	DM_CON	VBUS_IN		
		16	15	14	13		
DM_HOST	1					12	GND
DP_HOST	2					11	SDA
TxD	3					10	SCL
RxD	4					9	INTB
		V _{BAT}	BOOT	JIG	V _{DDIO}		
		5	6	7	8		



Please be aware that an important notice concerning availability, standard warranty, and use in critical applications of Texas Instruments semiconductor products and disclaimers thereto appears at the end of this data sheet.



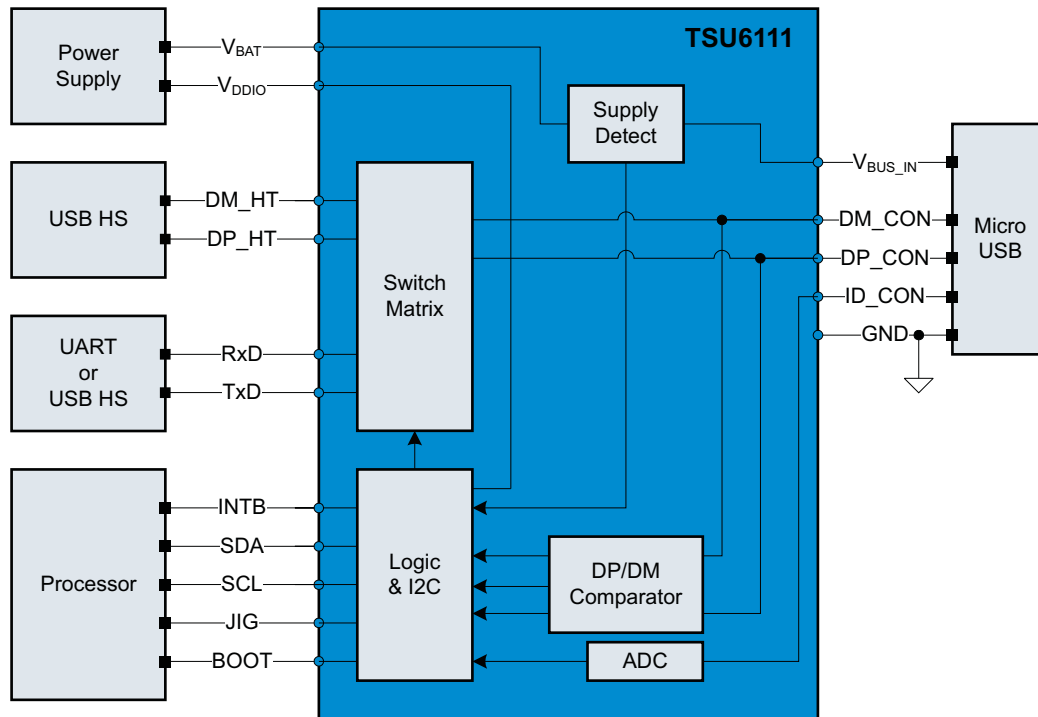
These devices have limited built-in ESD protection. The leads should be shorted together or the device placed in conductive foam during storage or handling to prevent electrostatic damage to the MOS gates.

ORDERING INFORMATION⁽¹⁾

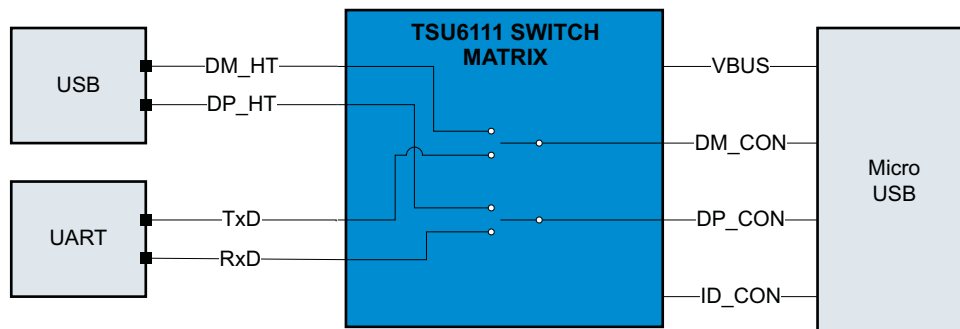
T _A	PACKAGE ⁽²⁾		ORDERABLE PART NUMBER	TOP-SIDE MARKING
-40°C to 85°C	uQFN 0.4-mm pitch – RSV	Tape and Reel	TSU6111RSVR	ZTC

- (1) For the most current package and ordering information, see the Package Option Addendum at the end of this document, or see the TI Web site at www.ti.com.
- (2) Package drawings, thermal data, and symbolization are available at www.ti.com/packaging.

BLOCK DIAGRAM



SWITCH MATRIX



PIN FUNCTIONS

PIN		I/O	DESCRIPTION
NO.	NAME		
1	DM_HOST	I/O	USB DM connected to host
2	DP_HOST	I/O	USB DP connected to host
3	TxD	I/O	UART Tx
4	RxD	I/O	UART Rx
5	VBAT	I	Connected to battery
6	BOOT	O	BOOT mode out (push-pull)
7	JIG	O	JIG detection (TSU6111 open-drain active low)
8	VDDIO	O	I/O voltage reference
9	INTB	O	Interrupt to host (push-pull)
10	SCL	I	I2C clock
11	SDA	I/O	I2C data
12	GND		Ground
13	VBUS_IN	I	VBUS connected to USB receptacle
14	DM_CON	I/O	USB DM connected to USB receptacle
15	DP_CON	I/O	USB DP connected to USB receptacle
16	ID_CON	I/O	USB ID connected to USB receptacle

SUMMARY OF TYPICAL CHARACTERISTICS

T_A = 25°C	USB Path
Number of channels	2
ON-state resistance (r_{on})	8 Ω
ON-state resistance match (Δr_{on})	0.5 Ω
ON-state resistance flatness ($r_{on(flat)}$)	0.5 Ω
Turn-on/turn-off time (t_{ON}/t_{OFF})	95 μ s/ 3.5 μ s
Bandwidth (BW)	920 MHz
OFF isolation (O_{ISO})	-26 dB at 250 MHz
Crosstalk (X_{TALK})	-32 dB at 250 MHz
Leakage current ($I_{IO(ON)}$)	50 nA

ABSOLUTE MAXIMUM RATINGS⁽¹⁾⁽²⁾

over operating free-air temperature range (unless otherwise noted)

		MIN	MAX	UNIT	
V _{BUS}	Supply voltage from USB connector	-0.5	28	V	
V _{BAT}	Supply voltage from battery	-0.5	6.0		
V _{DDIO}	Logic supply voltage	-0.5	4.6	V	
V _{USBIO}	Switch I/O voltage range	USB Switch	-0.5	V _{BAT} +0.5	V
V _{UARTIO}	Switch I/O voltage range	UART Switch	-0.5	V _{BAT} +0.5	V
I _K	Analog port diode current	-50	50	mA	
I _{SW-DC}	ON-state continuous switch current	-60	60	mA	
I _{SWPEAK}	ON-state peak switch current	-150	150	mA	
I _{IK}	Digital logic input clamp current	V _L < 0	-50	mA	
I _{LOGIC_O}	Continuous current through logic output	-50	50	mA	
I _{GND}	Continuous current through GND		100	mA	
T _{stg}	Storage temperature range	-65	150	°C	

- (1) Stresses above these ratings may cause permanent damage. Exposure to absolute maximum conditions for extended periods may degrade device reliability. These are stress ratings only, and functional operation of the device at these or any other conditions beyond those specified is not implied.
- (2) The algebraic convention, whereby the most negative value is a minimum and the most positive value is a maximum.

THERMAL IMPEDANCE RATINGS

			UNIT
θ _{JA}	Package thermal impedance	RSV package	184 °C/W

ELECTRICAL SPECIFICATION

over operating free-air temperature range (unless otherwise noted)

PARAMETERS		TEST CONDITIONS	MIN	MAX	UNIT
DIGITAL SIGNALS – I2C INTERFACE (SCL and SDA)					
V _{DDIO}	Logic and I/O supply voltage		1.65	3.6	V
V _{IH}	High-level input voltage		V _{DDIO} × 0.7	V _{DDIO}	V
V _{IL}	Low-level input voltage		0	V _{DDIO} × 0.3	V
V _{OH}	High-level output voltage	I _{OH} = –3 mA	V _{DDIO} × 0.7		V
V _{OL}	Low-level output voltage	I _{OL} = 3 mA		0.4	V
f _{SCL}	SCL frequency			400	kHz
JIG OUTPUT (TSU6111 – OPEN-DRAIN OUTPUT, ACTIVE LOW)					
V _{OL}	Low-level output voltage	I _{OL} = 10 mA, V _{BAT} = 3.0 V		0.5	V
INTB AND BOOT (PUSH-PULL OUTPUT)					
V _{OH}	High-level output voltage	I _{OH} = –4 mA, V _{DDIO} = 1.65 V	1.16		V
V _{OL}	Low-level output voltage	I _{OL} = 4 mA, V _{DDIO} = 1.65 V		0.33	V
TOTAL SWITCH CURRENT CONSUMPTION					
I _{DD(Standby)}	V _{BAT} Standby current consumption	V _{BUS_IN} = 0 V, Idle state		30	μA
I _{DD(Operating)}	V _{BAT} Operating current consumption	V _{BUS_IN} = 0 V, USB switches ON		75	μA

ELECTRICAL CHARACTERISTICS⁽¹⁾

V_{BAT} = 3 V to 4.4 V, V_{DDIO} = 2.8 V, T_A = –40°C to 85°C (unless otherwise noted)

PARAMETER		TEST CONDITIONS	MIN	TYP	MAX	UNIT
ANALOG SWITCH						
V _{USBIO}	Analog signal range		0		V _{BAT}	V
r _{ON}	ON-state resistance	DM_HT, DP_HT, DM_CON, DP_CON V _I = 0 V to 3.6 V, I _O = –2 mA, V _{BAT} = 3.0 V		8	15	Ω
Δr _{ON}	ON-state resistance match between channels	DM_HT, DP_HT, DM_CON, DP_CON V _I = 0.4 V, I _O = –2 mA, V _{BAT} = 3.0 V		0.5	2	Ω
r _{ON(flat)}	ON-state resistance flatness	DM_HT, DP_HT, DM_CON, DP_CON V _{BAT} = 3.0 V		0.5	2	Ω
I _{IO(OFF)}	V _I or V _O OFF leakage current	V _I = 0.3 V, V _O = 2.7 V or V _I = 2.7 V, V _O = 0.3 V, V _{BAT} = 4.4 V, Switch OFF		45	200	nA
I _{IO(ON)}	V _O ON leakage current	V _I = OPEN, V _O = 0.3 V or 2.7 V, V _{BAT} = 4.4 V, Switch ON		50	200	nA
DYNAMIC						
t _{ON}	Turn-ON time	From receipt of I ² C ACK bit	V _I or V _O = V _{BAT} , R _L = 50 Ω, C _L = 35 pF	95		μs
t _{OFF}	Turn-OFF time	From receipt of I ² C ACK bit	V _I or V _O = V _{BAT} , R _L = 50 Ω, C _L = 35 pF	3.5		μs
C _{I(OFF)}	V _I OFF capacitance		DC bias = 0 V or 3.6 V, f = 10 MHz, Switch OFF	4		pF
C _{O(OFF)}	V _O OFF capacitance		DC bias = 0 V or 3.6 V, f = 10 MHz, Switch OFF	7		pF
C _{I(ON)} , C _{O(ON)}	V _I , V _O ON capacitance		DC bias = 0 V or 3.6 V, f = 10 MHz, Switch ON	9		pF
BW	Bandwidth		R _L = 50 Ω, Switch ON	920		MHz
O _{ISO}	OFF Isolation		f = 240 MHz, R _L = 50 Ω, Switch OFF	–26		dB
X _{TALK}	Crosstalk		f = 240 MHz, R _L = 50 Ω	–32		dB

(1) V_O is equal to the asserted voltage on DP_CON and DM_CON pins. V_I is equal to the asserted voltage on DP_HT and DM_HT pins. I_O is equal to the current on the DP_CON and DM_CON pins. I_I is equal to the current on the DP_HT and DM_HT pins.

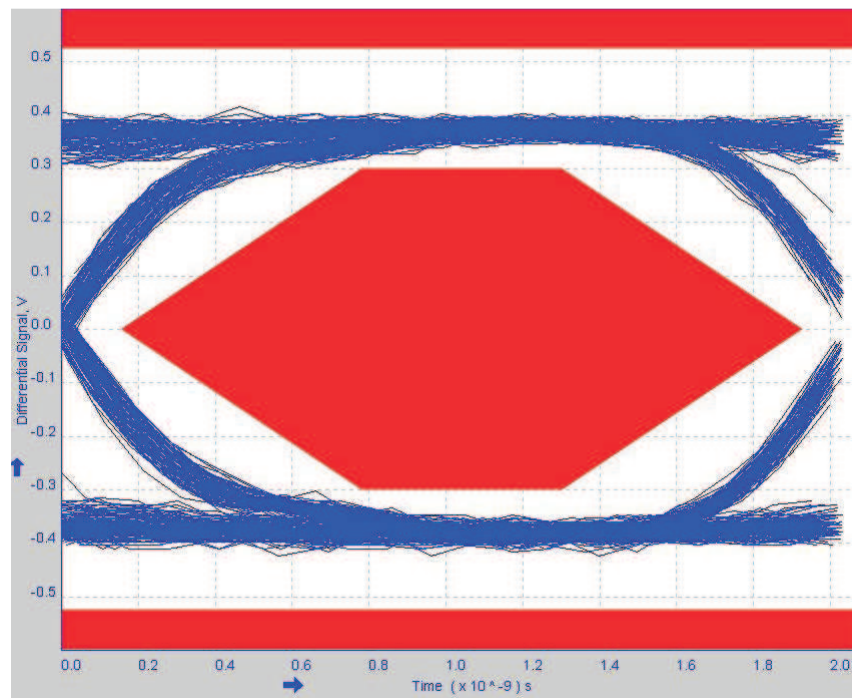
GENERAL OPERATION

The TSU6111 will automatically detect accessories plugged into the phone via the mini/micro USB 5 pin connector. The type of accessory detected will be stored in I2C registers within the TSU6111 for retrieval by the host. The TSU6111 has a network of switches that can be automatically opened and closed based on the accessory detection. See the [Table 1](#) for details of which switches are open during each mode of operation. For flexibility, the TSU6111 also offers a manual switching mode allowing the host processor to decide which switches should be opened and closed and execute the settings through the I²C interface.

STANDBY MODE

Standby mode is the default mode upon power up and occurs when no accessory has been detected. During this mode, the VBUS and ID lines are continually monitored through comparators to determine when an accessory is inserted. Power consumption is minimal during standby mode.

EYE DIAGRAM USB 2.0 HIGH SPEED



ACCESSORY ID DETECTION

If V_{BUS_IN} is high and the attachment is not a charger, then determine the impedance on the ID pin. If V_{BUS_IN} is low and an accessory is attached, then use an ADC for impedance sensing on the ID pin to identify which accessory is attached.

IMPEDANCE BUCKETS FOR EACH ACCESSORY

In order to implement ID detection, each accessory should contain below ID impedance resistor value which is 5% tolerance accuracy.

Table 1. Accessory ID and Switch States

ACCESSORY	DETECTED IMPEDANCE ON ID	RESISTOR TOLERANCE (%)	ADC VALUE	SWITCH STATE		FACTORY CABLE	
				DP/DM		JIG	BOOT
				USB	UART		
OTG	0	—	00000	ON	OFF	OFF	OFF
Send_End Button	2K	10%	00001	OFF	OFF	OFF	OFF
Audio Device Type 3	28.7K	5%	01110	OFF	OFF	OFF	OFF
Reserved Accessory #1	34K	5%	01111	OFF	OFF	OFF	OFF
Reserved Accessory #2	40.2K	5%	10000	OFF	OFF	OFF	OFF
Reserved Accessory #3	49.9K	5%	10001	OFF	OFF	OFF	OFF
Reserved Accessory #4	64.9K	5%	10010	OFF	OFF	OFF	OFF
Audio Device Type 2	80.27K	5%	10011	OFF	ON	OFF	OFF
Phone Powered Device	102K	5%	10100	OFF	ON	OFF	OFF
TTY Converter	121K	5%	10101	OFF	OFF	OFF	OFF
UART Cable	150K	5%	10110	OFF	ON	OFF	OFF
Type 1 Charger	200K	5%	10111	OFF	OFF	OFF	OFF
Factory Mode Cable - Boot Off USB	255K	5%	11000	ON	OFF	ON	OFF
Factory Mode Cable - Boot On USB	301K	5%	11001	ON	OFF	ON	ON
Audio/Video Cable	365K	5%	11010	OFF	OFF	OFF	OFF
Type 2 Charger	442K	5%	11011	OFF	OFF	OFF	OFF
Factory Mode Cable - Boot Off UART	523K	5%	11100	OFF	ON	ON	OFF
Factory Mode Cable - Boot On UART	619K	5%	11101	OFF	ON	ON	ON
Stereo Headset with Remote	1000.07K	10%	11110	OFF	OFF	OFF	OFF
Mono/Stereo Headset	1002K	10%	11110	OFF	OFF	OFF	OFF
No ID	—	—	11111	OFF	OFF	OFF	OFF
USB Standard Downstream Port	—	—	11111	ON	OFF	OFF	OFF
USB Charging Downstream Port	—	—	11111	ON	OFF	OFF	OFF
Dedicated Charging Port	—	—	11111	OFF	OFF	OFF	OFF

Power-On Reset

When power (from 0 V) is applied to VBAT, an internal power-on reset holds the TSU6111 in a reset condition until V_{BAT} has reached V_{POR} . At that point, the reset condition is released, and the TSU6111 registers and I2C state machine initialize to their default states.

After the initial power-up phase, VBAT must be lowered to below 0.2 V and then back up to the operating voltage (V_{DDIO}) for a power-reset cycle.

Software Reset

The TSU6111 has software reset feature.

- Hold low both I²C_SCL and I²C_SDA more than 30ms will reset digital logic of the TSU6111.

After reset digital logic, INTB will keep low until INT_Mask bit of Control register (0x02) is cleared.

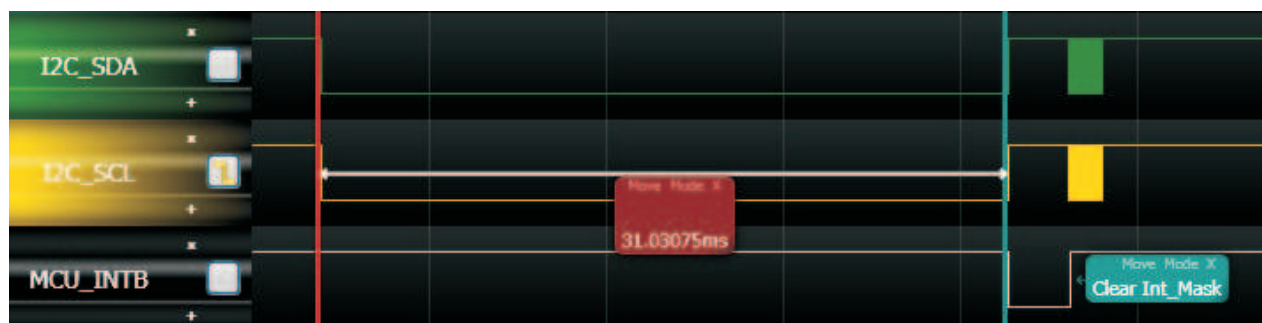


Figure 1. Software Reset

Standard I²C Interface Details

The bidirectional I²C bus consists of the serial clock (SCL) and serial data (SDA) lines. Both lines must be connected to a positive supply via a pull-up resistor when connected to the output stages of a device. Data transfer may be initiated only when the bus is not busy.

I²C communication with this device is initiated by the master sending a START condition, a high-to-low transition on the SDA input/output while the SCL input is high (see Figure 2). After the start condition, the device address byte is sent, MSB first, including the data direction bit (R/W). This device does not respond to the general call address. After receiving the valid address byte, this device responds with an ACK, a low on the SDA input/output during the high of the ACK-related clock pulse.

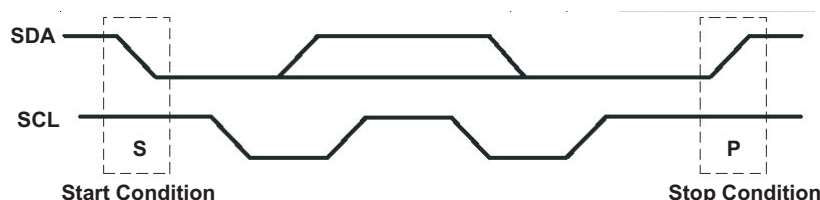


Figure 2. Definition of Start and Stop Conditions

The data byte follows the address ACK. The R/W bit is kept low for transfer from the master to the slave. The data byte is followed by an ACK sent from this device. Data are output only if complete bytes are received and acknowledged. The output data is valid at time (tpv) after the low-to-high transition of SCL, during the clock cycle for the ACK.

On the I²C bus, only one data bit is transferred during each clock pulse. The data on the SDA line must remain stable during the high pulse of the clock period, as changes in the data line at this time are interpreted as control commands (START or STOP) (see Figure 3).

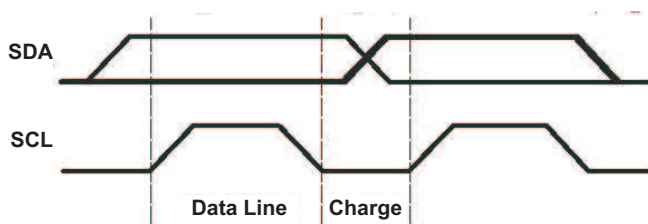


Figure 3. Bit Transfer

A Stop condition, a low-to-high transition on the SDA input/output while the SCL input is high, is sent by the master (see Figure 2).

The number of data bytes transferred between the start and the stop conditions from transmitter to receiver is not limited. Each byte of eight bits is followed by one ACK bit. The transmitter must release the SDA line before the receiver can send an ACK bit.

A slave receiver that is addressed must generate an ACK after the reception of each byte. The device that acknowledges has to pull down the SDA line during the ACK clock pulse so that the SDA line is stable low during the high pulse of the ACK-related clock period (see Figure 4). Setup and hold times must be taken into account.

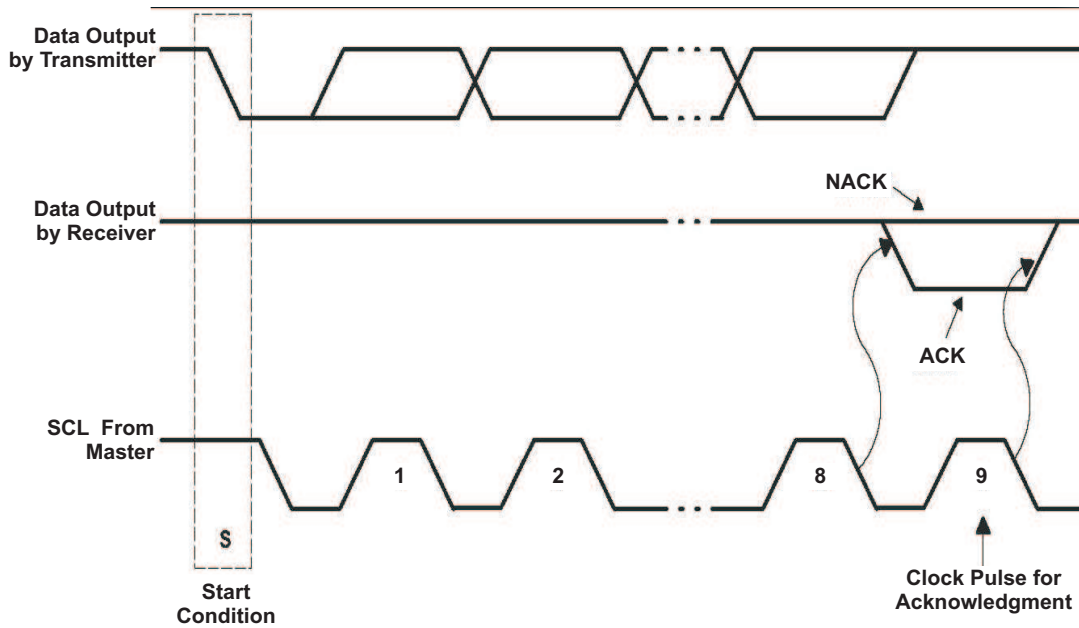


Figure 4. Acknowledgment on I²C Bus

Writes

Data is transmitted to the TSU6111 by sending the device slave address and setting the LSB to a logic 0 (see Figure 5 for device address). The command byte is sent after the address and determines which register receives the data that follows the command byte. The next byte is written to the specified register on the rising edge of the ACK clock pulse.

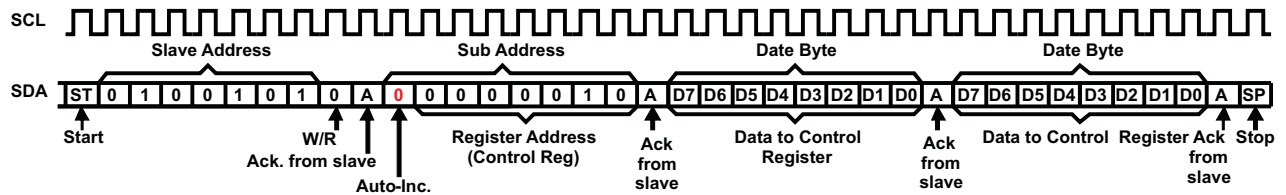


Figure 5. Repeated Data Write to a Single Register

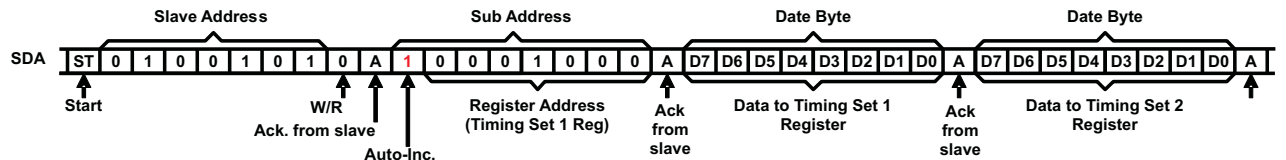


Figure 6. Burst Data Write to Multiple Registers

Reads

The bus master first must send the TSU6111 slave address with the LSB set to logic 0. The command byte is sent after the address and determines which register is accessed. After a restart, the device slave address is sent again but, this time, the LSB is set to logic 1. Data from the register defined by the command byte then is sent by the TSU6111. Data is clocked into the SDA output shift register on the rising edge of the ACK clock pulse. See Figure 7.

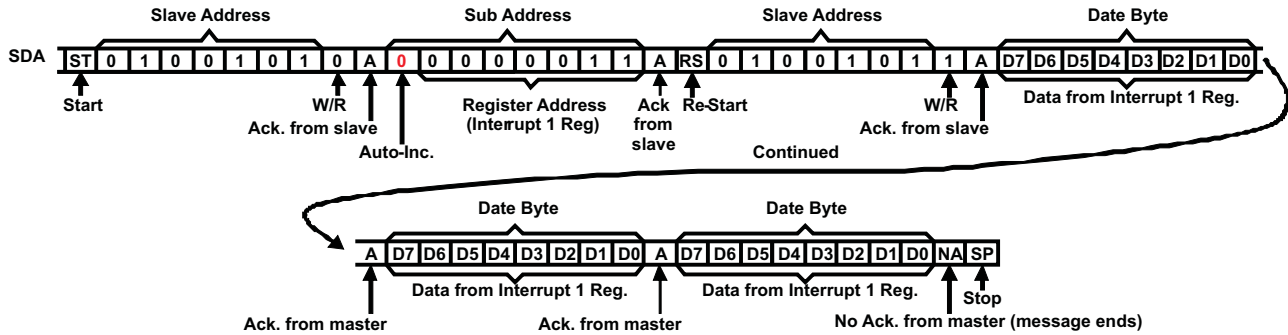


Figure 7. Repeated Data Read from a Single Register – Combined Mode

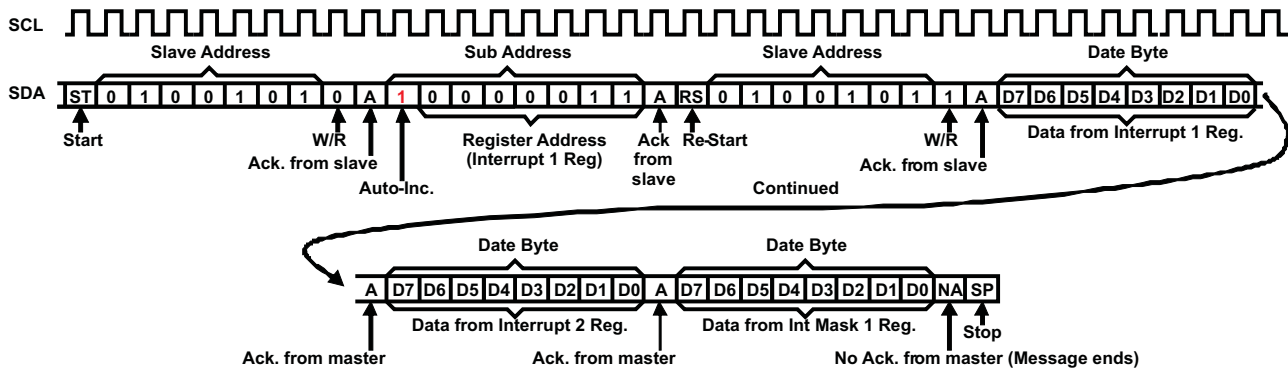


Figure 8. Burst Data Read from Multiple Registers – Combined Mode

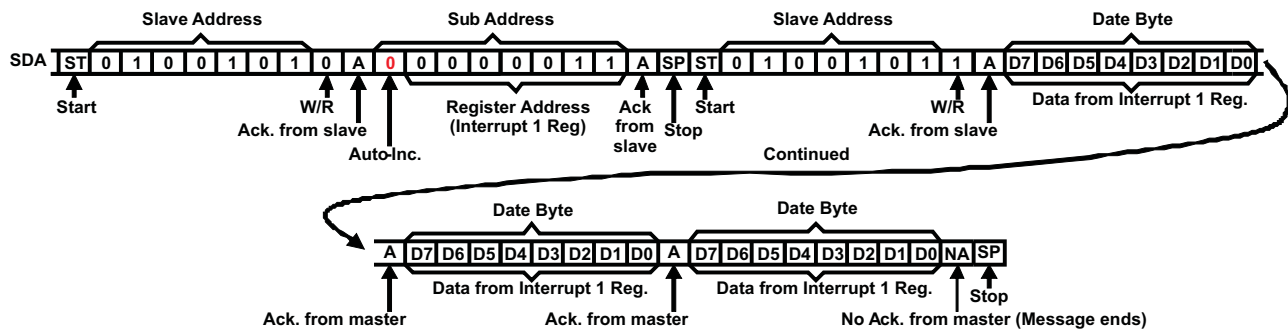


Figure 9. Repeated Data Read from a Single Register – Split Mode

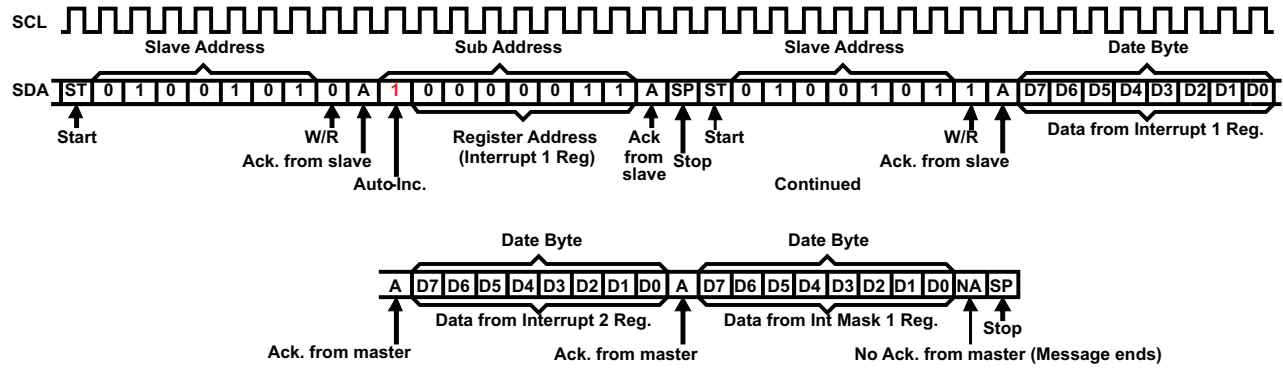


Figure 10. Burst Data Read from Multiple Registers – Split Mode

Notes (Applicable to Figure 5–Figure 10):

- SDA is pulled low on Ack. from slave or Ack. from master.
- Register writes always require sub-address write before first data byte.
- Repeated data writes to a single register continue indefinitely until Stop or Re-Start.
- Repeated data reads from a single register continue indefinitely until No Ack. from master.
- Burst data writes start at the specified register address, then advance to the next register address, even to the read-only registers. For these registers, data write appears to occur, though no data are changed by the writes. After register 14h is written, writing resumes to register 01h and continues until Stop or Re-Start.
- Burst data reads start at the specified register address, then advance to the next register address. Once register 14h is read, reading resumes from register 01h and continues until No Ack. from master.

I²C Register Map⁽¹⁾⁽²⁾⁽³⁾

ADDR	REGISTER	TYPE	RESET VALUE	BIT7	BIT6	BIT5	BIT4	BIT3	BIT2	BIT1	BIT0	
01h	Device ID	R	00001010	Version ID				Vendor ID				
02h	Control	R/W	xxx11111				Switch Open	Raw Data	Manual S/W	Wait	INT Mask	
03h	Interrupt 1	R	00000000	OVP_OCP_DIS	OCP_EN	OVP_EN	LKR	LKP	KP	Detach	Attach	
04h	Interrupt 2	R	x0000000		OTP_EN	CONNECT	Stuck_Key_RC_V	Stuck_Key	ADC_Change	Reserved_Attach	A/V_Charging	
05h	Interrupt Mask 1	R/W	00000000	OVP_OCP_DIS	OCP_EN	OVP_EN	LKR	LKP	KP	Detach	Attach	
06h	Interrupt Mask 2	R/W	x0000000		OTP_EN	CONNECT	Stuck_Key_RC_V	Stuck_Key	ADC_Change	Reserved_Attach	A/V_Charging	
07h	ADC	R	xxx11111	ADC Value								
08h	Timing Set 1	R/W	00000000					Device Wake Up				
09h	Timing Set 2	R/W	00000000	Switching Wait								
0Ah	Device Type 1	R	00000000	USG_OTG	DCP	CDP	Carkit	UART	USG	Audio Type2	Audio Type1	
0Bh	Device Type 2	R	00000000	Audio Type3	CHG_A/V	TTY	PD	JIG_UART_OFF	JIG_UART_ON	JIG_USB_OFF	JIG_USB_ON	
0Ch	Button 1	R	00000000	7	6	5	4	3	2	1	Send_End	
0Dh	Button 2	R	x0000000		Unknown	Error	12	11	10	9	8	
13h	Manual S/W 1	R/W	000000xx	D– Switching								
14h	Manual S/W 2	R/W	xxxx00xx					BOOT_SW	JIG-ON			

- (1) Do not use blank register bits.
- (2) Write “0” to the blank register bits.
- (3) Values read from the blank register bits are not defined and invalid.

Slave Address

NAME	SIZE (BITS)	DESCRIPTION							
		BIT 7	BIT 6	BIT 5	BIT 4	BIT 3	BIT 2	BIT 1	BIT 0
Slave address	8	0	1	0	0	1	0	1	R/W

Device ID

Address: 01h

Reset Value: 00001010

Type: Read

BIT NO.	NAME	SIZE (BITS)	DESCRIPTION
0-2	Vendor ID	3	A unique number for vendor 010 for Texas Instruments
3-7	Version ID	5	A unique number for chip version 00001b for TSU6111

Control

Address: 02h

Reset Value: xxx11111

Type: Read/Write

BIT NO.	NAME	SIZE (BITS)	DESCRIPTION
0	INT Mask	1	0: Unmask interrupt 1: Mask interrupt
1	Wait	1	0: Wait until host re-sets this bit(WAIT bit) high 1: Wait until Switching timer is expired
2	Manual S/W	1	0: Manual Switching 1: Automatic Switching
3	RAW Data	1	0: Report the status changes on ID to Host 1: Don't report the status changes on ID
4	Switch Open	1	0: Open all Switches 1: Automatic Switching by accessory status
5-7	Reserved		

Interrupt 1

Address: 03h

Reset Value: 00000000

Type: Read and Clear

BIT NO.	NAME	SIZE (BITS)	DESCRIPTION
0	Attach	1	1: Accessory is attached
1	Detach	1	1: Accessory is detached
2	KP	1	1: Key press
3	LKP	1	1: Long key press
4	LKR	1	1: Long key release
5	OVP_EN	1	1: OVP enabled
6	OCP_EN	1	1: OCP enabled
7	OVP_OCP_DIS	1	1: OCP_OCP disabled

Interrupt 2

Address: 04h

Reset Value:x0000000

Type: Read and Clear

BIT NO.	NAME	SIZE (BITS)	DESCRIPTION
0	A/V_Charging	1	1: Charger detected when A/V cable is attached
1	Reserved_Attach	1	1: Reserved Device is attached
2	ADC_Change	1	1: ADC value is changed when RAW data is enabled
3	Stuck_Key	1	1: Stuck Key is detected
4	Stuck_Key_RCV	1	1: Stuck Key is recovered
5	Connect	1	1: Switch is connected(closed)
6	OTP_EN	1	1: Over Temperature Protection enabled
7	Reserved		

Interrupt Mask 1

Address: 05h

Reset Value:00000000

Type: Read/Write

BIT NO.	NAME	SIZE (BITS)	DESCRIPTION
0	Attach	1	0: Unmask Attach Interrupt 1: Mask Attach Interrupt
1	Detach	1	0: Unmask Key press Interrupt 1: Mask Detach Interrupt
2	KP	1	0: Unmask Key press Interrupt 1: Mask Key press Interrupt
3	LKP	1	0: Unmask Long key press Interrupt 1: Mask Long key press Interrupt
4	LKR	1	0: Unmask Long key release Interrupt 1: Mask Long key release Interrupt
5	OVP_EN	1	0: Unmask OVP_EN Interrupt 1: Mask OVP_EN Interrupt
6	OCP_EN	1	0: Unmask OCP_EN Interrupt 1: Mask OCP_EN Interrupt
7	OVP_OCP_DIS	1	0: Unmask OVP_OCP_DIS Interrupt 1: Mask OVP_OCP_DIS Interrupt

Interrupt Mask 2

Address: 06h

Reset Value:x0000000

Type: Read/Write

BIT NO.	NAME	SIZE (BITS)	DESCRIPTION
0	A/V_Charging	1	0: Unmask A/V_Charging Interrupt 1: Mask A/V_Charging Interrupt
1	Reserved_Attach	1	0: Unmask Reserved_Attach Interrupt 1: Mask Reserved_Attach Interrupt
2	ADC_Change	1	0: Unmask ADC_Change Interrupt 1: Mask ADC_Change Interrupt
3	Stuck_Key	1	0: Unmask Stuck_Key Interrupt 1: Mask Stuck_Key Interrupt
4	Stuck_Key_RCV	1	0: Unmask Stuck_Key_RCV Interrupt 1: Mask Stuck_Key_RCV Interrupt
5	Connect	1	0: Unmask Connect Interrupt 1: Mask Connect Interrupt
6	OTP_EN	1	0: Unmask OTP_EN Interrupt 1: Mask OTP_EN Interrupt
7	Reserved	1	

ADC Value

Address: 07h

Reset Value: xxx11111

Type: Read

BIT NO.	NAME	SIZE (BITS)	DESCRIPTION
0-4	AD value	5	ADC value read from ID
53-7	Reserved	3	

Timing Set 1

Address: 08h

Reset Value: 00000000

Type: Read/Write

BIT NO.	NAME	SIZE (BITS)	DESCRIPTION
0-3	Device Wake Up	4	Device wake up duration
4-7	Reserved	4	

Timing Set 2

Address: 09h

Reset Value: 00000000

Type: Read/Write

BIT NO.	NAME	SIZE (BITS)	DESCRIPTION
0-3	Reserved	4	
4-7	Switching wait	4	Waiting duration before switching

Time Table⁽¹⁾

SETTING VALUE	DEVICE WAKE UP	SWITCHING WAIT
0000	50 ms	10 ms
0001	100 ms	30 ms
0010	150 ms	50 ms
0011	200 ms	70 ms
0100	300 ms	90 ms
0101	400 ms	110 ms
0110	500 ms	130 ms
0111	600 ms	150 ms
1000	700 ms	170 ms
1001	800 ms	190 ms
1010	900 ms	210 ms
1011	1000 ms	–
1100	–	–
1101	–	–
1110	–	–
1111	–	–

 (1) Maximum variation of these timing is $\pm 20\%$

Device Type 1

Address: 0Ah

Reset Value: 00000000

Type: Read

BIT NO.	NAME	SIZE (BITS)	DESCRIPTION
0	Audio type 1	1	Audio device type 1
1	Audio type 2	1	Audio device type 2
2	USB	1	USB host
3	UART	1	UART
4	Carkit	1	Carkit Charger Type 1 or 2
5	CDP	1	Charging Downstream Port (USB Host Hub Charger)
6	DCP	1	Dedicated Charging Port
7	USB OTG	1	USB on-the-go device

Device Type 2

Address: 0Bh

Reset Value:x0000000

Type: Read

BIT NO.	NAME	SIZE (BITS)	DESCRIPTION
0	JIG_USB_ON	1	Factory mode cable
1	JIG_USB_OFF	1	Factory mode cable
2	JIG_UART_ON	1	Factory mode cable
3	JIG_UART_OFF	1	Factory mode cable
4	PPD	1	Phone-powered device
5	TTY	1	TTY converter
6	A/V	1	A/V cable
7	Audio type 3	1	Audio device type 3

Button 1

Address: 0Ch

Reset Value: 00000000

Type: Read and Clear

BIT NO.	NAME	SIZE (BITS)	DESCRIPTION
0	8	1	Send_End key is pressed
1	9	1	Number 1 key is pressed
2	10	1	Number 2 key is pressed
3	11	1	Number 3 key is pressed
4	12	1	Number 4 key is pressed
5	Error	1	Number 5 key is pressed
6	Unknown	1	Number 6 key is pressed
7	Reserved	1	Number 7 key is pressed

Button 2

Address: 0Dh

Reset Value: x0000000

Type: Read and Clear

BIT NO.	NAME	SIZE (BITS)	DESCRIPTION
0	Send_End	1	Number 8 key is pressed
1	1	1	Number 9 key is pressed
2	2	1	Number 10 key is pressed
3	3	1	Number 11 key is pressed
4	4	1	Number 12 key is pressed
5	5	1	Error key is pressed
6	6	1	Unknown key is pressed
7	7	1	

Manual S/W 1

Address: 13h

Reset Value: 000000xx

Type: Read/Write

BIT NO.	NAME	SIZE (BITS)	DESCRIPTION
0-1	Unused	2	
2-4	D+ Switching	3	000: Open all switch 001: D+ is connected to D+ of USB port 010: Open all switch 011: D+ is connected to RxD of UART
5-7	D– Switching	3	000: Open all switch 001: D– is connected to D– of USB port 010: Open all switch 011: D– is connected to TxD of UART

Manual S/W 2

Address: 14h

Reset Value: xxxx00xx

Type: Read/Write

BIT NO.	NAME	SIZE (BITS)	DESCRIPTION
0-1	Unused	2	
2	JIG	1	TSU6111: 0: High Impedance 1: GND
3	BOOT	1	0: Low 1: High
4-7	Unused	4	

PACKAGING INFORMATION

Orderable Device	Status (1)	Package Type	Package Drawing	Pins	Package Qty	Eco Plan (2)	Lead finish/ Ball material (6)	MSL Peak Temp (3)	Op Temp (°C)	Device Marking (4/5)	Samples
TSU6111RSVR	ACTIVE	UQFN	RSV	16	3000	RoHS & Green	NIPDAU	Level-1-260C-UNLIM	-40 to 85	ZTC	Samples

(1) The marketing status values are defined as follows:

ACTIVE: Product device recommended for new designs.

LIFEBUY: TI has announced that the device will be discontinued, and a lifetime-buy period is in effect.

NRND: Not recommended for new designs. Device is in production to support existing customers, but TI does not recommend using this part in a new design.

PREVIEW: Device has been announced but is not in production. Samples may or may not be available.

OBSOLETE: TI has discontinued the production of the device.

(2) **RoHS:** TI defines "RoHS" to mean semiconductor products that are compliant with the current EU RoHS requirements for all 10 RoHS substances, including the requirement that RoHS substance do not exceed 0.1% by weight in homogeneous materials. Where designed to be soldered at high temperatures, "RoHS" products are suitable for use in specified lead-free processes. TI may reference these types of products as "Pb-Free".

RoHS Exempt: TI defines "RoHS Exempt" to mean products that contain lead but are compliant with EU RoHS pursuant to a specific EU RoHS exemption.

Green: TI defines "Green" to mean the content of Chlorine (Cl) and Bromine (Br) based flame retardants meet JS709B low halogen requirements of <=1000ppm threshold. Antimony trioxide based flame retardants must also meet the <=1000ppm threshold requirement.

(3) MSL, Peak Temp. - The Moisture Sensitivity Level rating according to the JEDEC industry standard classifications, and peak solder temperature.

(4) There may be additional marking, which relates to the logo, the lot trace code information, or the environmental category on the device.

(5) Multiple Device Markings will be inside parentheses. Only one Device Marking contained in parentheses and separated by a "-" will appear on a device. If a line is indented then it is a continuation of the previous line and the two combined represent the entire Device Marking for that device.

(6) Lead finish/Ball material - Orderable Devices may have multiple material finish options. Finish options are separated by a vertical ruled line. Lead finish/Ball material values may wrap to two lines if the finish value exceeds the maximum column width.

Important Information and Disclaimer: The information provided on this page represents TI's knowledge and belief as of the date that it is provided. TI bases its knowledge and belief on information provided by third parties, and makes no representation or warranty as to the accuracy of such information. Efforts are underway to better integrate information from third parties. TI has taken and continues to take reasonable steps to provide representative and accurate information but may not have conducted destructive testing or chemical analysis on incoming materials and chemicals. TI and TI suppliers consider certain information to be proprietary, and thus CAS numbers and other limited information may not be available for release.

In no event shall TI's liability arising out of such information exceed the total purchase price of the TI part(s) at issue in this document sold by TI to Customer on an annual basis.

EXAMPLE BOARD LAYOUT

RSV0016A

UQFN - 0.55 mm max height

ULTRA THIN QUAD FLATPACK - NO LEAD



LAND PATTERN EXAMPLE
EXPOSED METAL SHOWN
SCALE: 25X



4220314/C 02/2020

NOTES: (continued)

3. For more information, see Texas Instruments literature number SLUA271 (www.ti.com/lit/slua271).

EXAMPLE STENCIL DESIGN

RSV0016A

UQFN - 0.55 mm max height

ULTRA THIN QUAD FLATPACK - NO LEAD



SOLDER PASTE EXAMPLE
BASED ON 0.125 MM THICK STENCIL
SCALE: 25X

4220314/C 02/2020

NOTES: (continued)

4. Laser cutting apertures with trapezoidal walls and rounded corners may offer better paste release. IPC-7525 may have alternate design recommendations.

重要声明和免责声明

TI 均以“原样”提供技术性及其可靠性数据（包括数据表）、设计资源（包括参考设计）、应用或其他设计建议、网络工具、安全信息和其他资源，不保证其中不含任何瑕疵，且不做任何明示或暗示的担保，包括但不限于对适销性、适合某特定用途或不侵犯任何第三方知识产权的暗示担保。

所述资源可供专业开发人员应用TI 产品进行设计使用。您将对以下行为独自承担全部责任：(1) 针对您的应用选择合适的TI 产品；(2) 设计、验证并测试您的应用；(3) 确保您的应用满足相应标准以及任何其他安全、安保或其他要求。所述资源如有变更，恕不另行通知。TI 对您使用所述资源的授权仅限于开发资源所涉及TI 产品的相关应用。除此之外不得复制或展示所述资源，也不提供其它TI 或任何第三方的知识产权授权许可。如因使用所述资源而产生任何索赔、赔偿、成本、损失及债务等，TI 对此概不负责，并且您须赔偿由此对TI 及其代表造成的损害。

TI 所提供产品均受TI 的销售条款 (<http://www.ti.com.cn/zh-cn/legal/termsofsale.html>) 以及ti.com.cn上或随附TI产品提供的其他可适用条款的约束。TI提供所述资源并不扩展或以其他方式更改TI 针对TI 产品所发布的可适用的担保范围或担保免责声明。

邮寄地址：上海市浦东新区世纪大道 1568 号中建大厦 32 楼，邮政编码：200122

Copyright © 2020 德州仪器半导体技术（上海）有限公司